

Door Specs

- 24 Gz. galvanized metal door - insulated. White
- 16 Ga. Galvanized flat, metal door frame. White
- Mocoat Standard lockable door handle
- 4 1/2" x 4" hinges
- Weatherstripping full perimeter of door frame
- Check Chain

Building Hardware Specs

- Dow Corning 795 Grey caulking
- Eternabond Webseal 4" roof tape
- Nuco BG100 Silicone coating
- Side panels fastened with Gr5 hex cap bolts c/w nut and washers
- End panels fastened with Gr2 carriage bolts c/w self tapping nut
- Panels fastened to base with stainless steel lag bolts

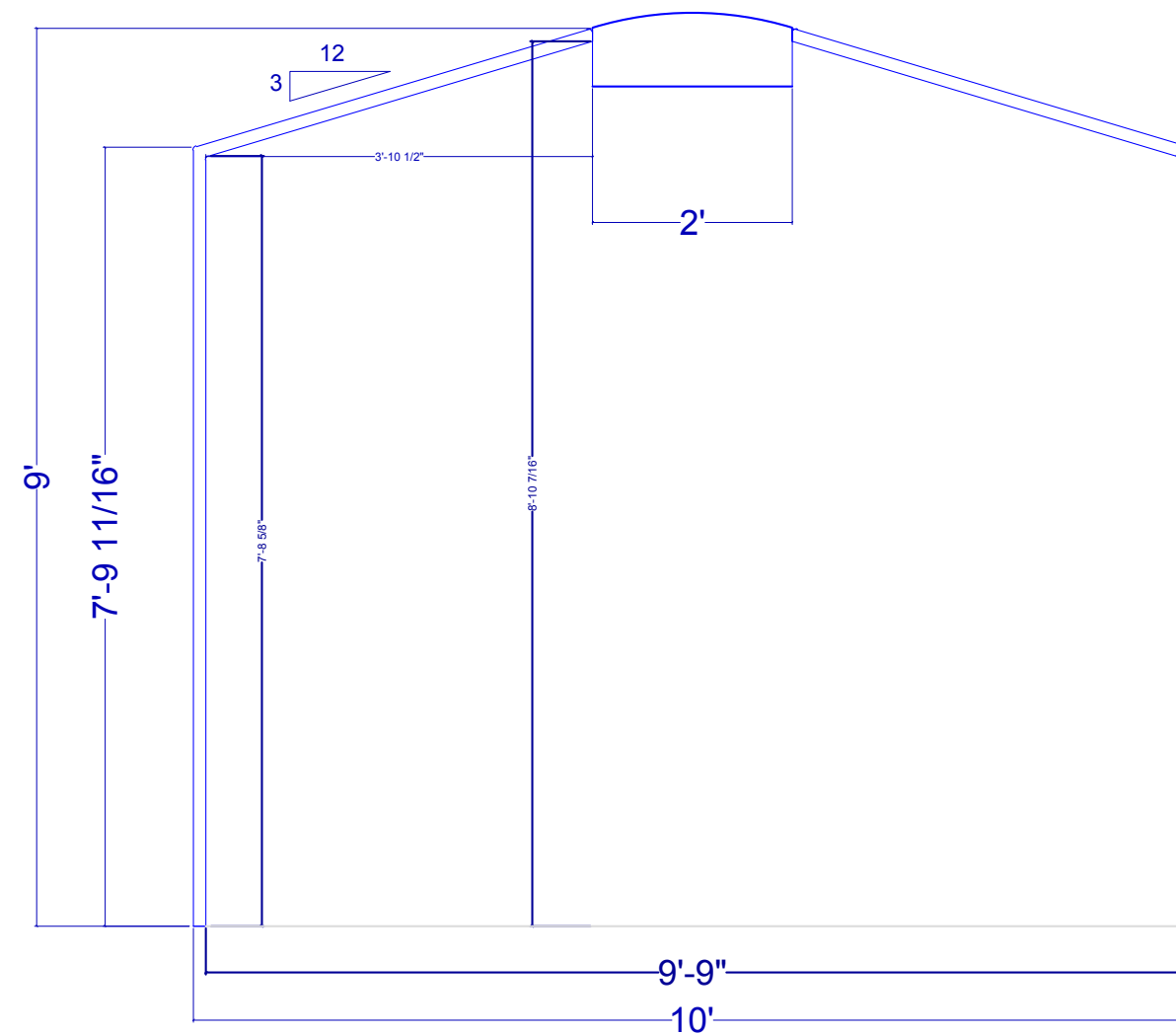
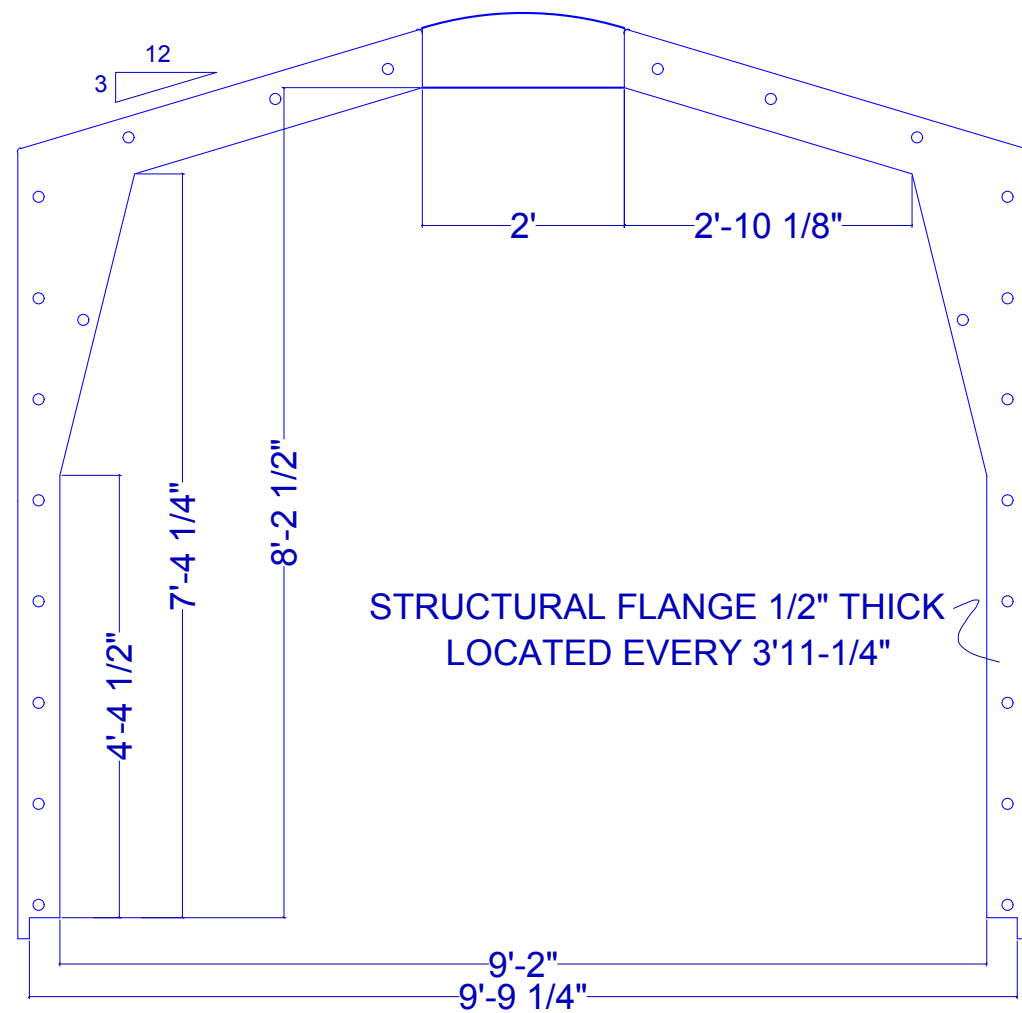
Base Specs

- Double 2x4, presurre treated wooden base OR
- 4"x4" steel tube perimeter base OR
- 3"x4" fiberglass angle perimeter base

Ownership of Documents

This document, the ideas and designs incorporated herein, as an instrument of service, is the property of Mocoat Solutions and is NOT to be used in whole or in part for any other project without the written permission of, Mocoat Solutions.

CLIENT: --	
PO#: --	
LOCATION: --	
PROJECT: --	
WORK ORDER NO: --	DD MM YY
QUOTE NO: --	15 03 17
SIZE: MM 10 12 9	REV NO: BY: MW



Door Specs

- 24 Gz. galvanized metal door - insulated. White
- 16 Ga. Galvanized flat, metal door frame. White
- Mocoat Standard lockable door handle
- 4 1/2" x 4" hinges
- Weatherstripping full perimeter of door frame
- Check Chain

Building Hardware Specs

- Dow Corning 795 Grey caulking
- Eternabond Webseal 4" roof tape
- Nuco BG100 Silicone coating
- Side panels fastened with Gr5 hex cap bolts c/w nut and washers
- End panels fastened with Gr2 carriage bolts c/w self tapping nut
- Panels fastened to base with stainless steel lag bolts

Base Specs

- Double 2x4, presurre treated wooden base OR
- 4"x4" steel tube perimeter base OR
- 3"x4" fiberglass angle perimeter base

Ownership of Documents

This document, the ideas and designs incorporated herein, as an instrument of service, is the property of Mocoat Solutions and is NOT to be used in whole or in part for any other project without the written permission of, Mocoat Solutions.

CLIENT: --

PO#: --

LOCATION: --

PROJECT: --

WORK ORDER NO: --

QUOTE NO: --

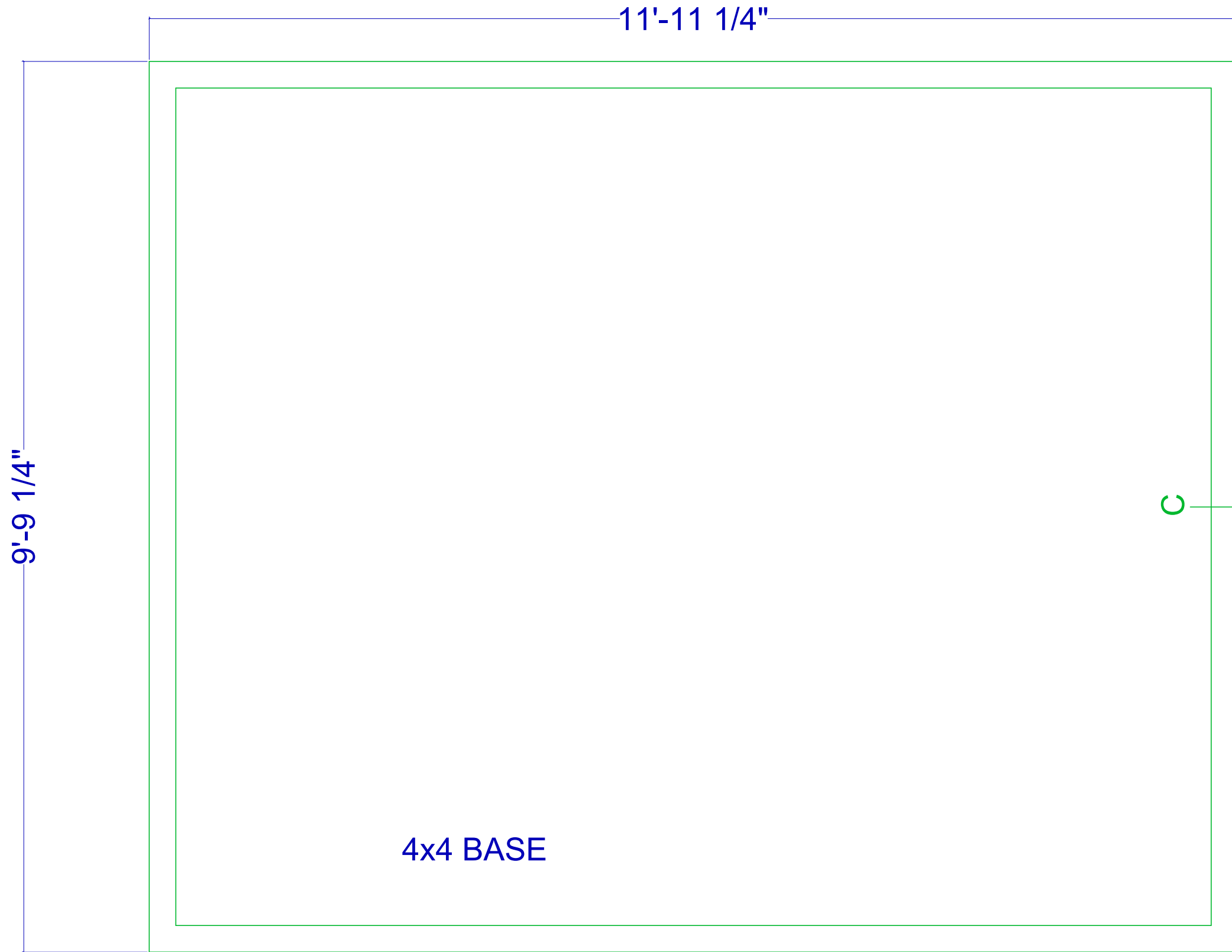
SIZE: MM 10 12 9

REV NO:

DD MM YY

15 03 17

BY: MW



Door Specs

- 24 Gz. galvanized metal door - insulated. White
- 16 Ga. Galvanized flat, metal door frame. White
- Mocoat Standard lockable door handle
- 4 1/2" x 4" hinges
- Weatherstripping full perimeter of door frame
- Check Chain

Building Hardware Specs

- Dow Corning 795 Grey caulking
- Eternabond Webseal 4" roof tape
- Nuco BG100 Silicone coating
- Side panels fastened with Gr5 hex cap bolts c/w nut and washers
- End panels fastened with Gr2 carriage bolts c/w self tapping nut
- Panels fastened to base with stainless steel lag bolts

Base Specs

- Double 2x4, presurre treated wooden base
OR
- 4"x4" steel tube perimeter base
OR
- 3"x4" fiberglass angle perimeter base

Ownership of Documents

This document, the ideas and designs incorporated herein, as an instrument of service, is the property of Mocoat Solutions and is NOT to be used in whole or in part for any other project without the written permission of, Mocoat Solutions.

CLIENT: --	
PO#: --	
LOCATION:	
--	
PROJECT:	
--	
WORK ORDER NO: --	DD MM YY
QUOTE NO: --	15 03 17
SIZE: MM 10 12 9	REV NO: BY: MW