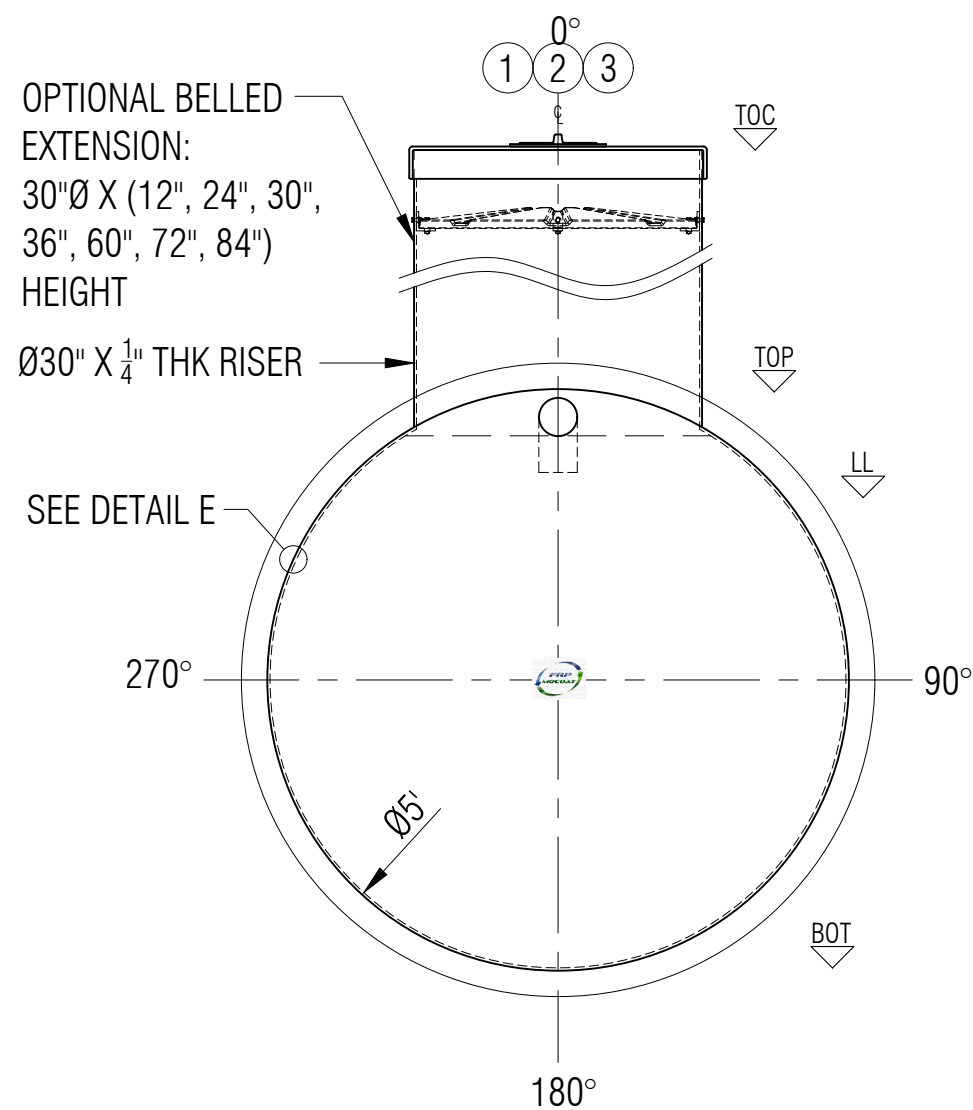
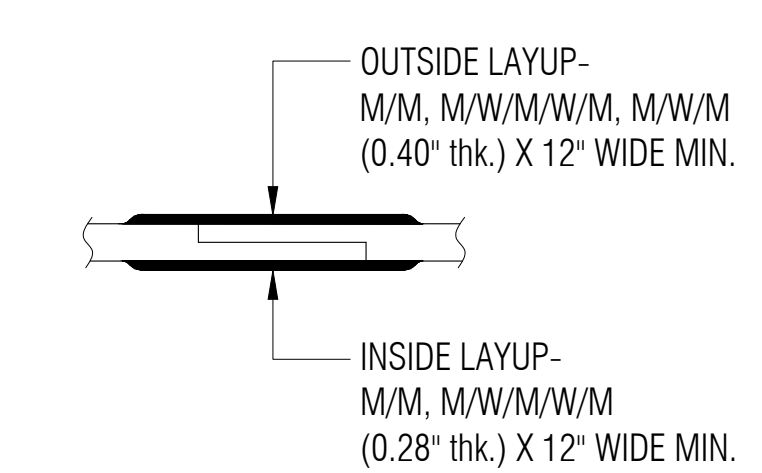


**PLAN**

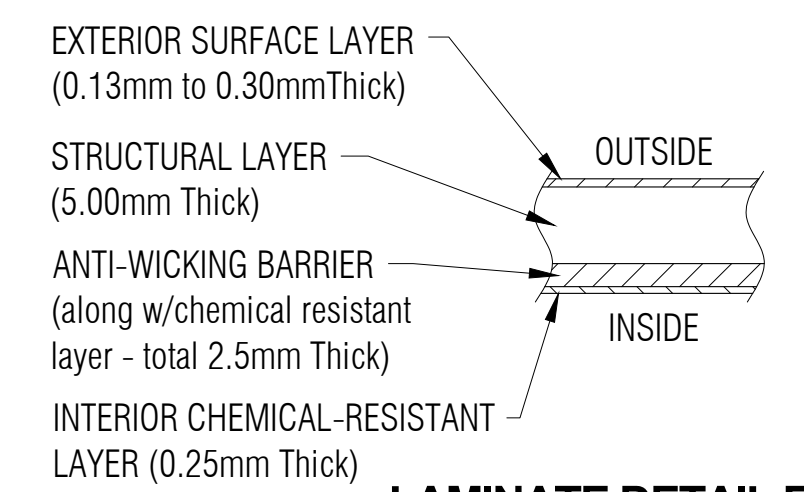


**ELEVATION B**

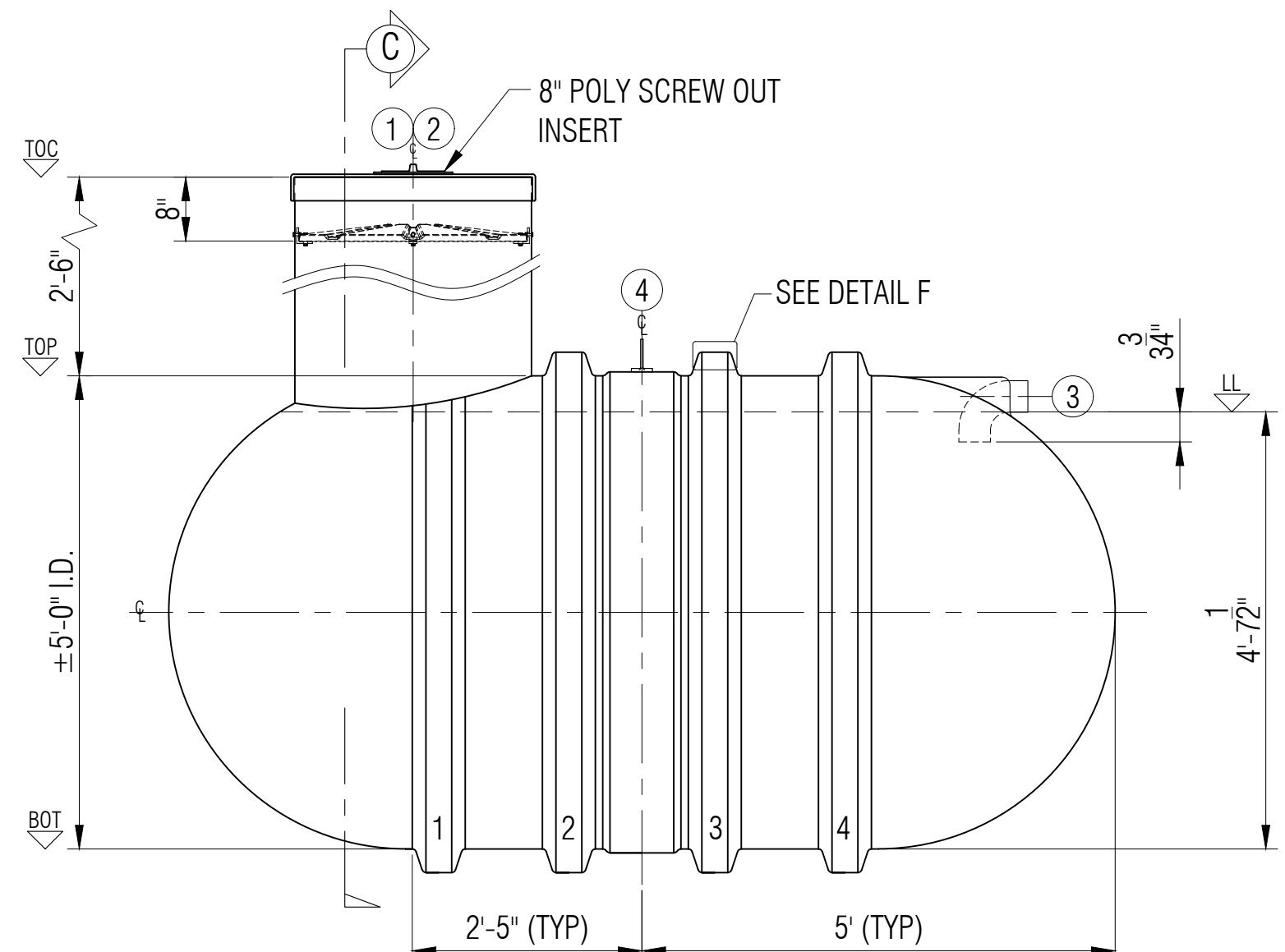


**TYPICAL BODY JOINT DETAIL D**  
NTS

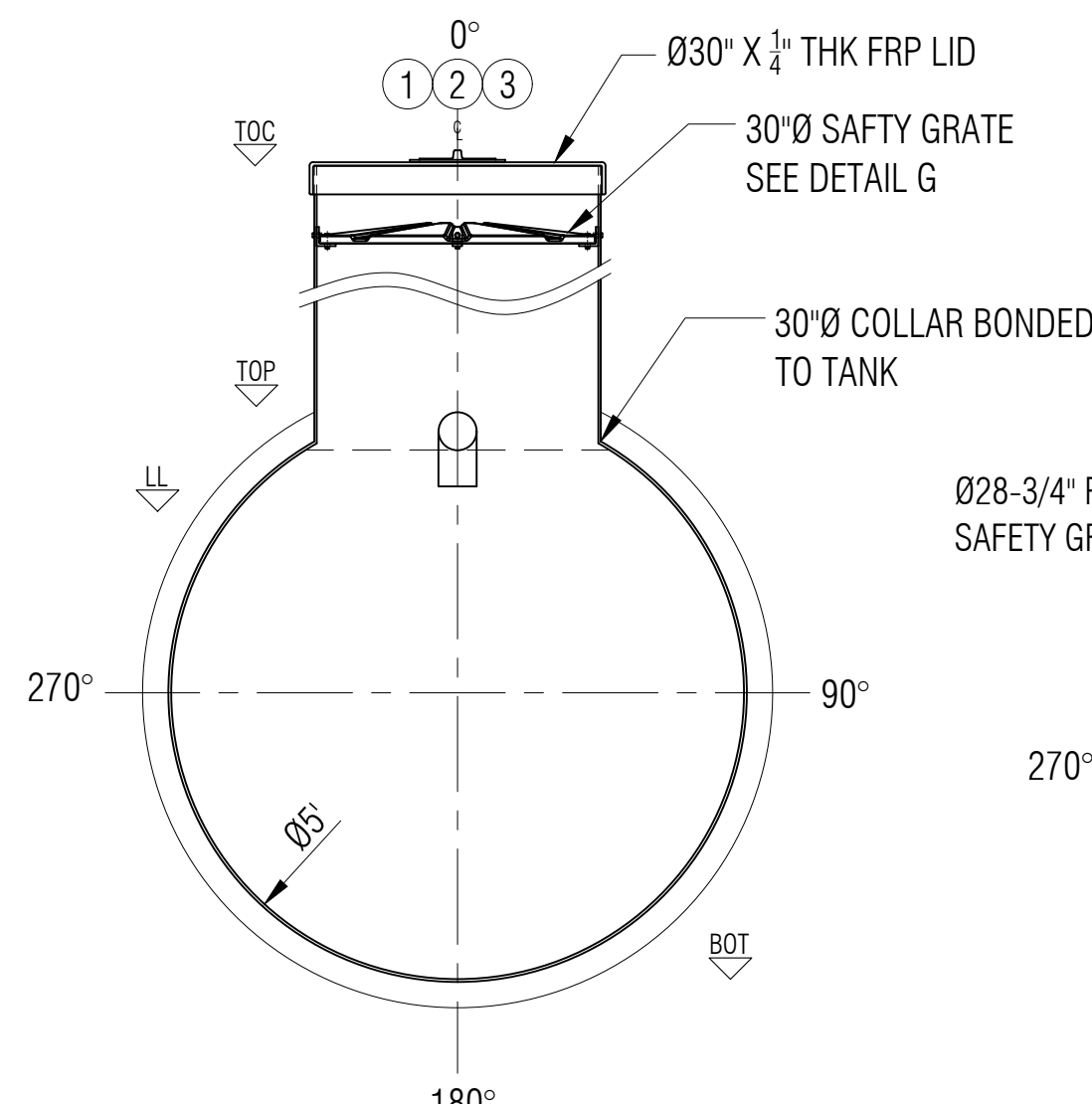
**LEGEND:**  
 TOC - TOP OF CAP LID  
 TOF - TOP OF FLANGE  
 TOP - TOP CYLINDER  
 BOT - BOTTOM CYLINDER  
 I/S - INSIDE  
 LL - LIQUID LEVEL  
 O.A.H. - OVERALL HEIGHT  
 O.A.L. - OVERALL LENGTH  
 I/S - INSIDE  
 O/S - OUTSIDE  
 Ø - DIAMETER  
 ° - DEGREE/S  
 TYP - TYPICAL  
 CL - CENTER LINE  
 NTS - NOT TO SCALE



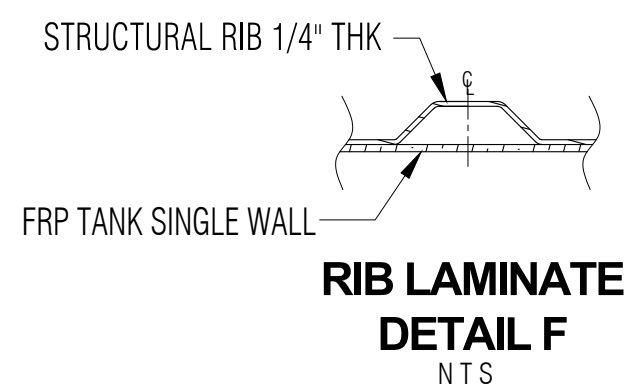
**LAMINATE DETAIL E**  
NTS



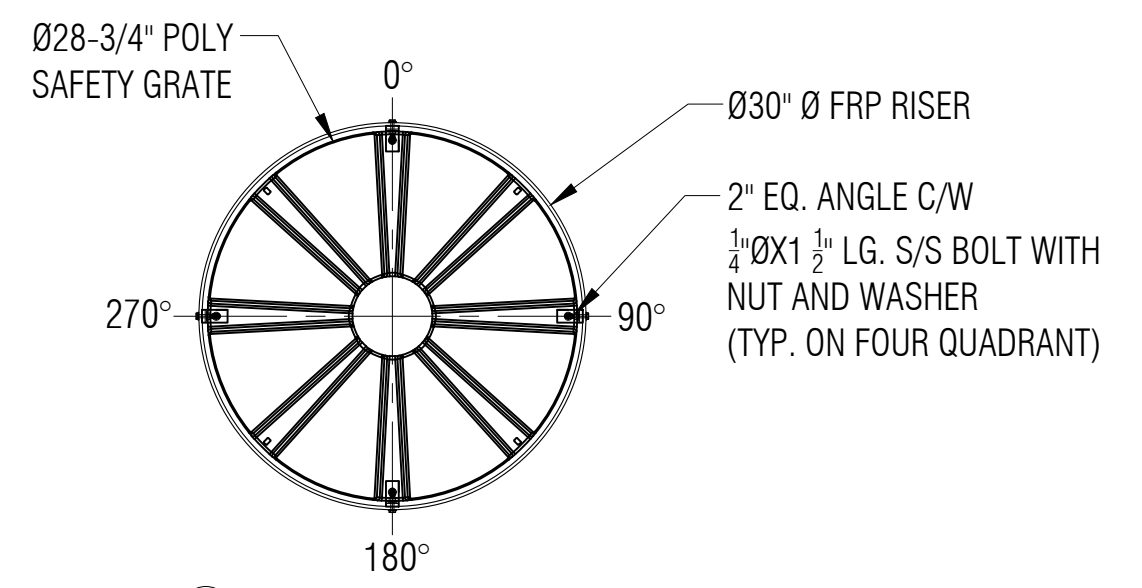
**ELEVATION A**



**SECTION C**



**RIB LAMINATE DETAIL F**  
NTS



**SAFETY GRATE DETAIL G**  
SCALE: 1:15

**GENERAL NOTES:**  
 - CSA B66 CERTIFIED FRP SEWAGE HOLDING TANK.  
 - RATED FOR 2' OF BURIAL DEPTH AND NO TRAFFIC LOADING.  
 - ALL DRILLED HOLES FLANGES TO BE COATED WITH RESIN.  
 - SAFETY DEVICE CAN WITHSTAND 91 KG. OF DEAD LOAD.  
 - DIMENSIONS SHOWN IN FEET INCHES FORMAT OTHERWISE NOTED.  
 - 1/2" FABRICATION TOLERANCE. DOES NOT APPLY TO LAMINATE THICKNESS.

ITEM#	QTY	PART LIST	DESCRIPTION	SHELL THICKNESS:	0.280"	DRAWN:	ATF
1	1	30" CAP LID W/ 8" POLY SCREW OUT INSERT	FRP LID	DISH HEAD THICKNESS:	0.280"	CHECKED:	
2	1	30" Ø MANWAY COLLAR	30" Ø FRP MANWAY	RIBS THICKNESS:	0.25" WITH 1 WR	DATE:	JUNE 08, 2023
3	1	4" PVC-DWV 90°	INLET	RIB SPACING:	16-1/2" CL TO CL	DESIGNED:	
4	1	MID STEEL	LIFT LUG	WEIGHT:	249KG (550LBS)	APPROVED:	MPS
5	1	POLYETHYLENE SAFETY GRATE C/W HARDWARE	SAFETY GRATE	LENGTH:	3,048MM (10'-0")	MFG:	DS
6				WORKING CAPACITY:	4,434 L (975 IG/1,170 USG)	QA:	GA
7				OVERALL CAPACITY:	4,546 L (1,000 IG/1,200 USG)	SALES:	TA



CLIENT: FRP/MOCOAT FIBERGLASS LTD.		REVISION: 0	
TITLE: H1000-SB FRP SEWAGE HOLDING TANK		SHEET: 1/1	
SIZE: C	DRAWING NUMBER: H1000-SB	WEIGHT:	
SCALE: 1:20	BURIAL DEPTH:	RATED 2'-0"	