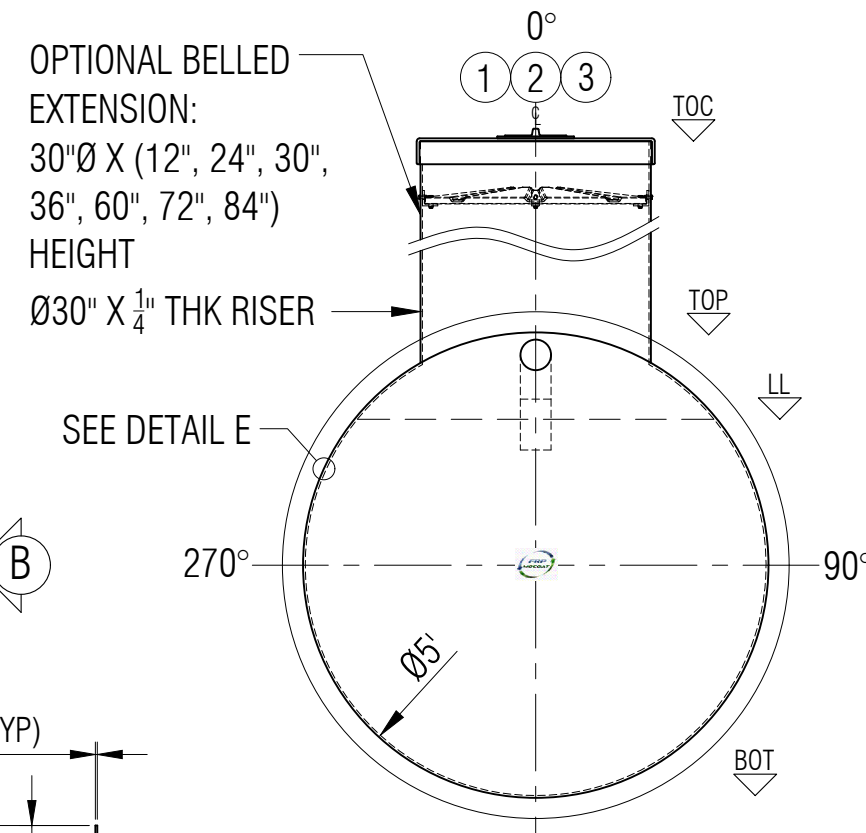
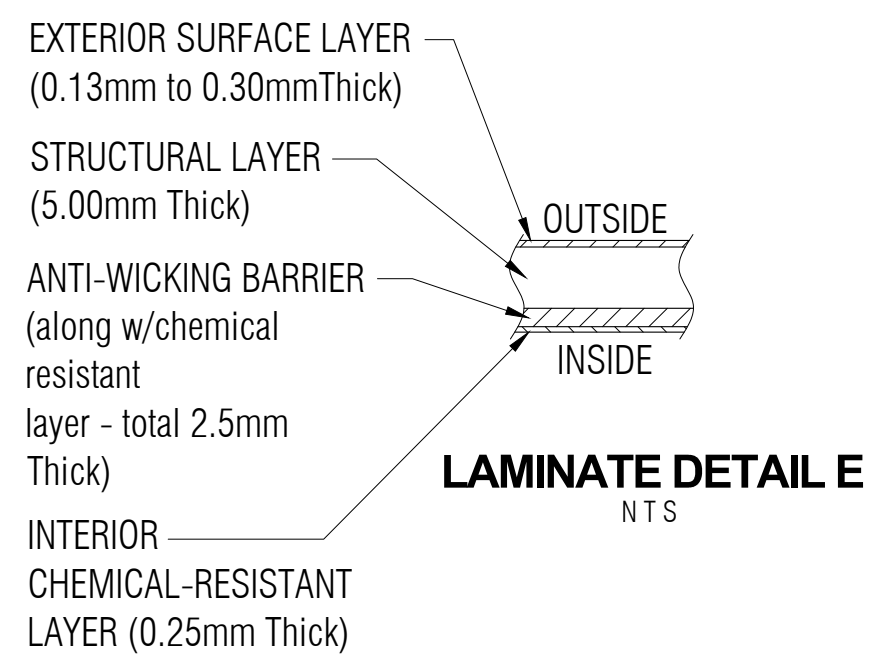


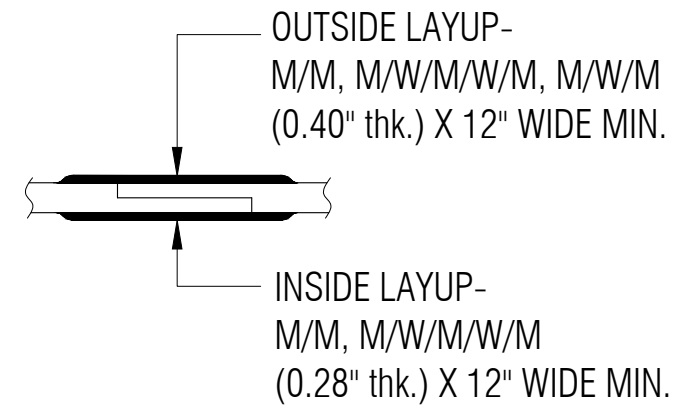
PLAN



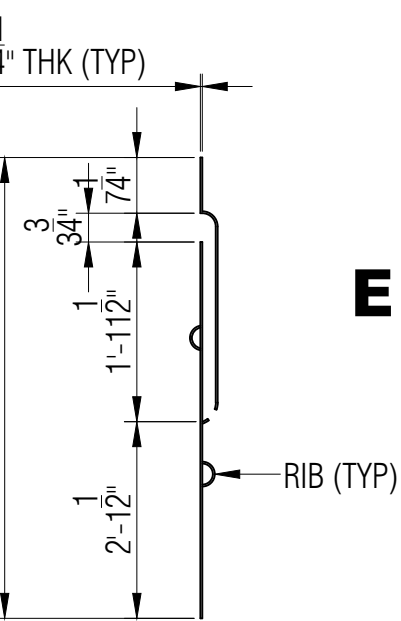
ELEVATION B



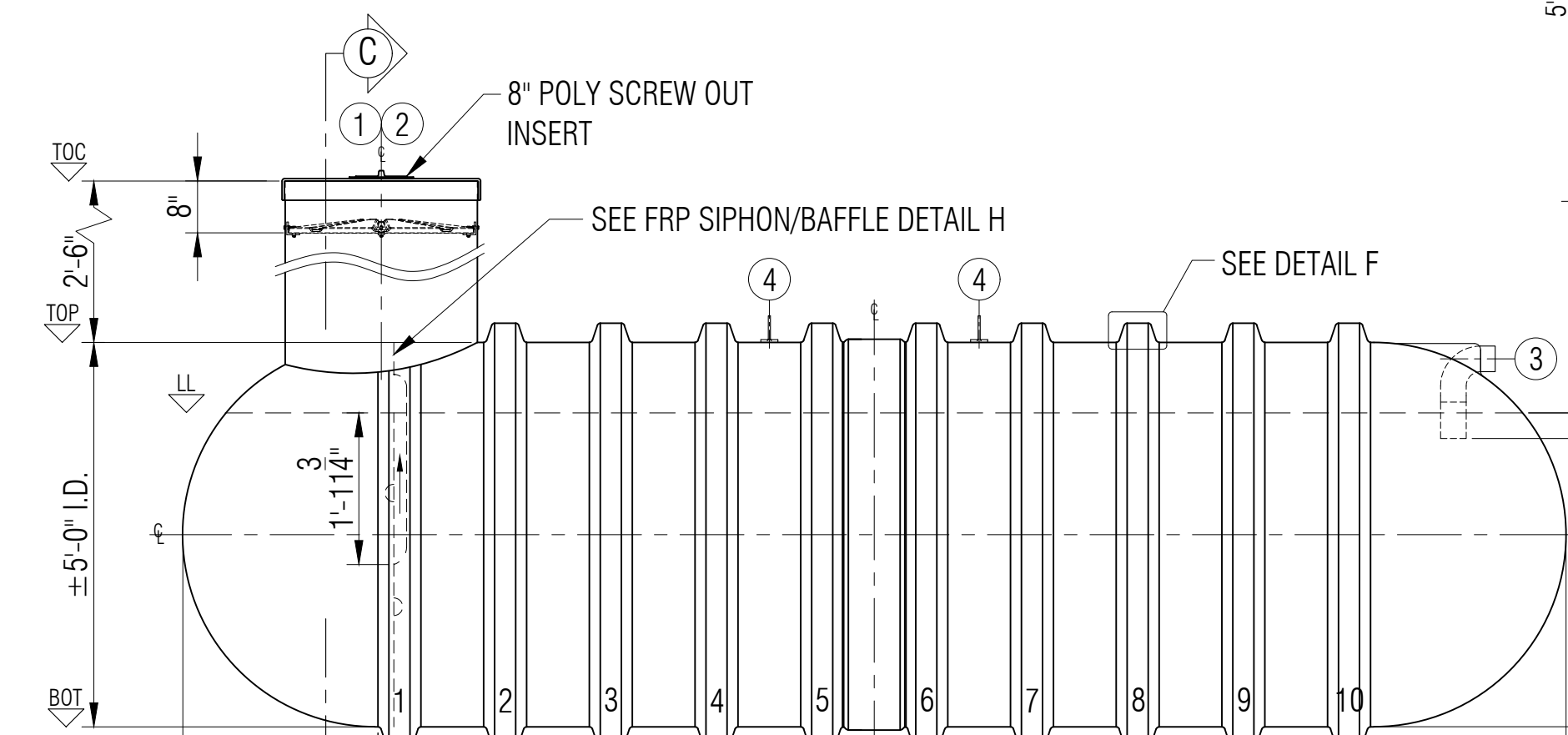
LAMINATE DETAIL E
NTS



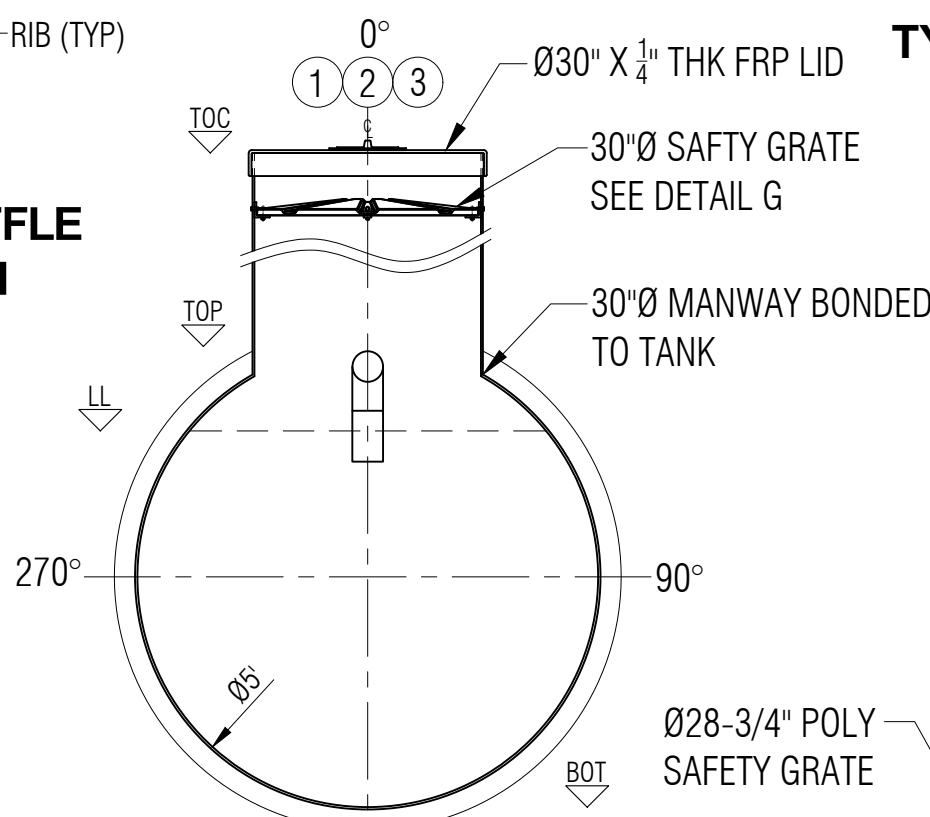
TYPICAL BODY JOINT DETAIL D
NTS



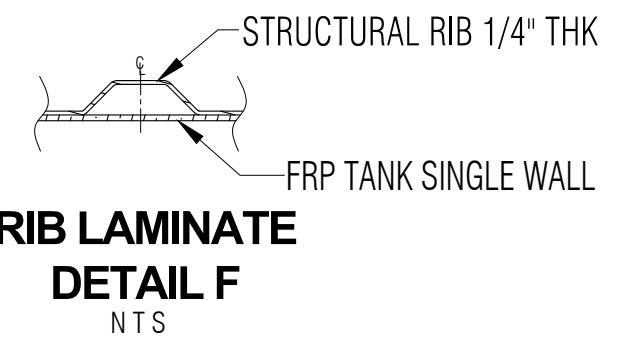
SIPHON/BAFFLE DETAIL H



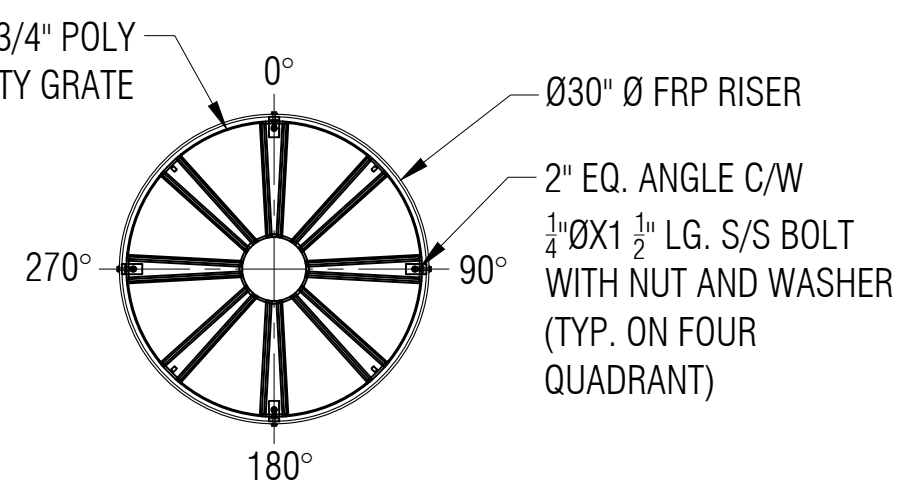
ELEVATION A



SECTION C



RIB LAMINATE DETAIL F
NTS

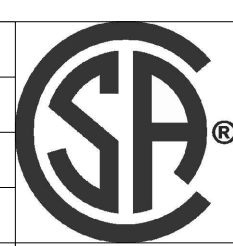


SAFETY GRATE DETAIL G
SCALE: 1:15

LEGEND:
 TOC - TOP OF CAP LID
 TOF - TOP OF FLANGE
 TOP - TOP CYLINDER
 BOT - BOTTOM CYLINDER
 I/S - INSIDE
 LL - LIQUID LEVEL
 O.A.H.-OVERALL HEIGHT
 O.A.L.-OVERALL LENGTH
 I/S - INSIDE
 O/S - OUTSIDE
 Ø - DIAMETER
 ° - DEGREE/S
 TYP- TYPICAL
 CL - CENTER LINE
 NTS - NOT TO SCALE

GENERAL NOTES:
 - CSA B66 CERTIFIED FRP SEPTIC TANK.
 - RATED FOR 2' OF BURIAL DEPTH AND NO TRAFFIC LOADING.
 - BAFFLE WALL IS INSTALLED. VOLUMES ARE APPROXIMATE.
 - ALL DRILLED HOLES FLANGES TO BE COATED WITH RESIN.
 - SAFETY DEVISE CAN WITHSTAND 91 KG. OF DEAD LOAD.
 - DIMENSIONS SHOWN IN FEET INCHES FORMAT OTHERWISE NOTED.
 - 1/2" FABRICATION TOLERANCE. DOES NOT APPLY TO LAMINATE THICKNESS.

ITEM#	QTY	PART LIST	DESCRIPTION	SHELL THICKNESS:	0.280"	DRAWN:	ATF
1	1	30" CAP LID W/ 8"Ø POLY SCREW OUT INSERT	FPR LID	DISH HEAD THICKNESS:	0.280"	CHECKED:	
2	1	30"Ø MANWAY COLLAR	30"Ø FRP MANWAY	RIBS THICKNESS:	0.25" WITH 1 WR	DATE:	JULY 08, 2023
3	1	4" PVC-DWV 90°	INLET	WEIGHT:	510KG (1,125LBS)	DESIGNED:	
4	1	FRP FULL BAFFLE WALL W/ REINFORCEMENT	BAFFLE WALL	LENGTH:	5,486MM (18'-0")	APPROVED:	MPS
5	2	MILD STEEL LUGS	LIFT LUGS	SEPTIC CHAMBER:	7,045L (1,550IG/1,860 USG)	MFG:	DS
6	1	POLYETHYLENE SAFETY GRATE C/W HARDWARE	SAFETY GRATE	EFFLUENT CHAMBER:	963L (212IG/254 USG)	QA:	GA
7				OVERALL CAPACITY:	9,090L (2,000IG/2,400 USG)	SALES:	TA



CLIENT: FRP/MOCOAT FIBERGLASS LTD.
 TITLE: **P2000-SB FRP PUMPOUT TANK**
FRP MOCOAT
 FIBERGLASS LTD.

SIZE: C	DRAWING NUMBER: P2000-SB	REVISION: 0
SCALE: 1:25	WEIGHT:	SHEET: 1/1
BURIAL DEPTH:	RATED 2'-0"	