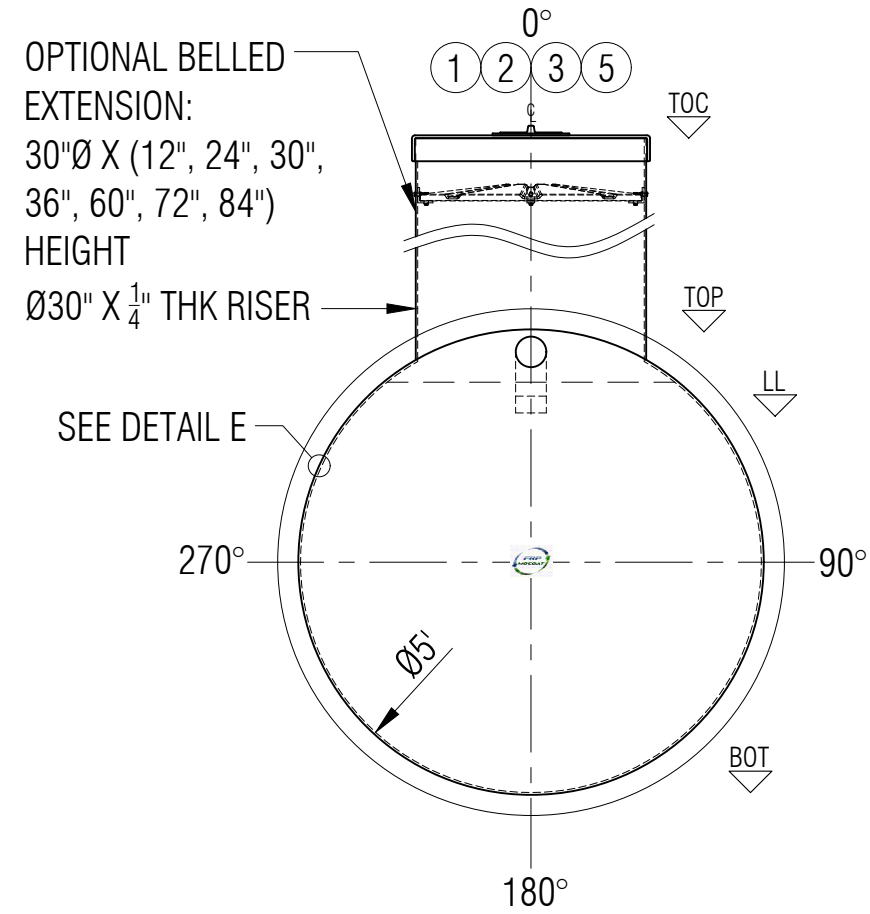
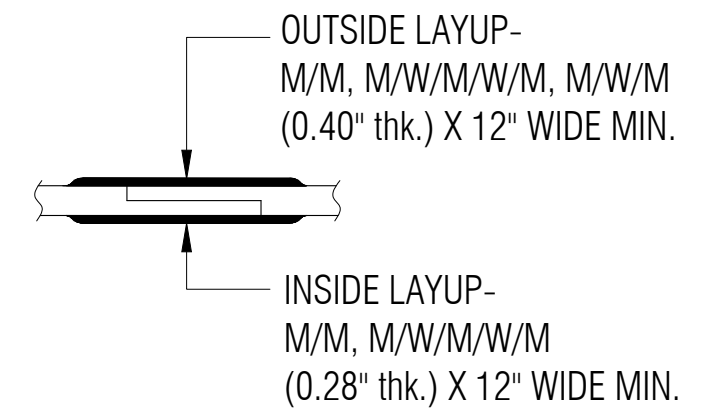


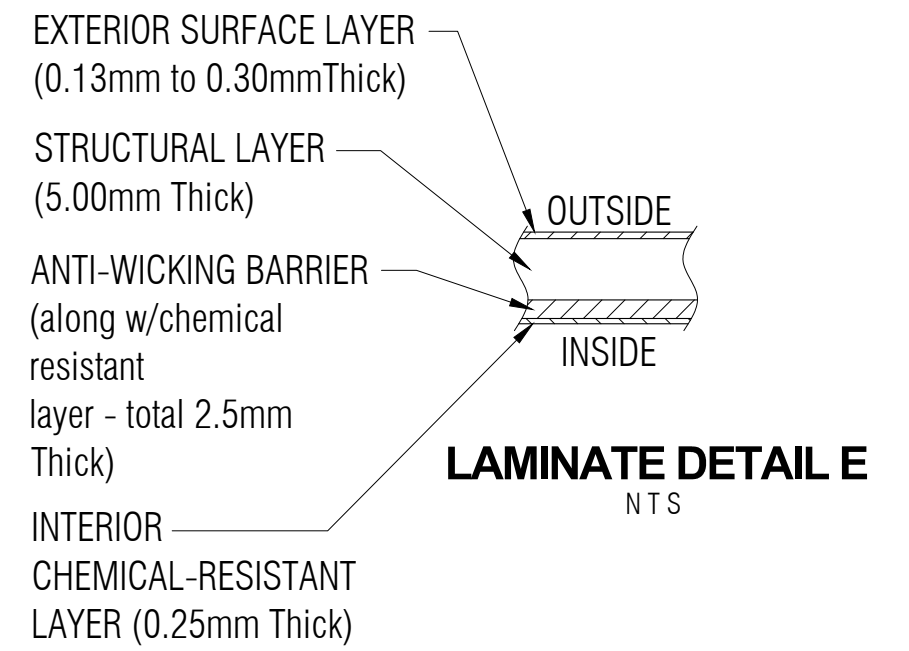
PLAN



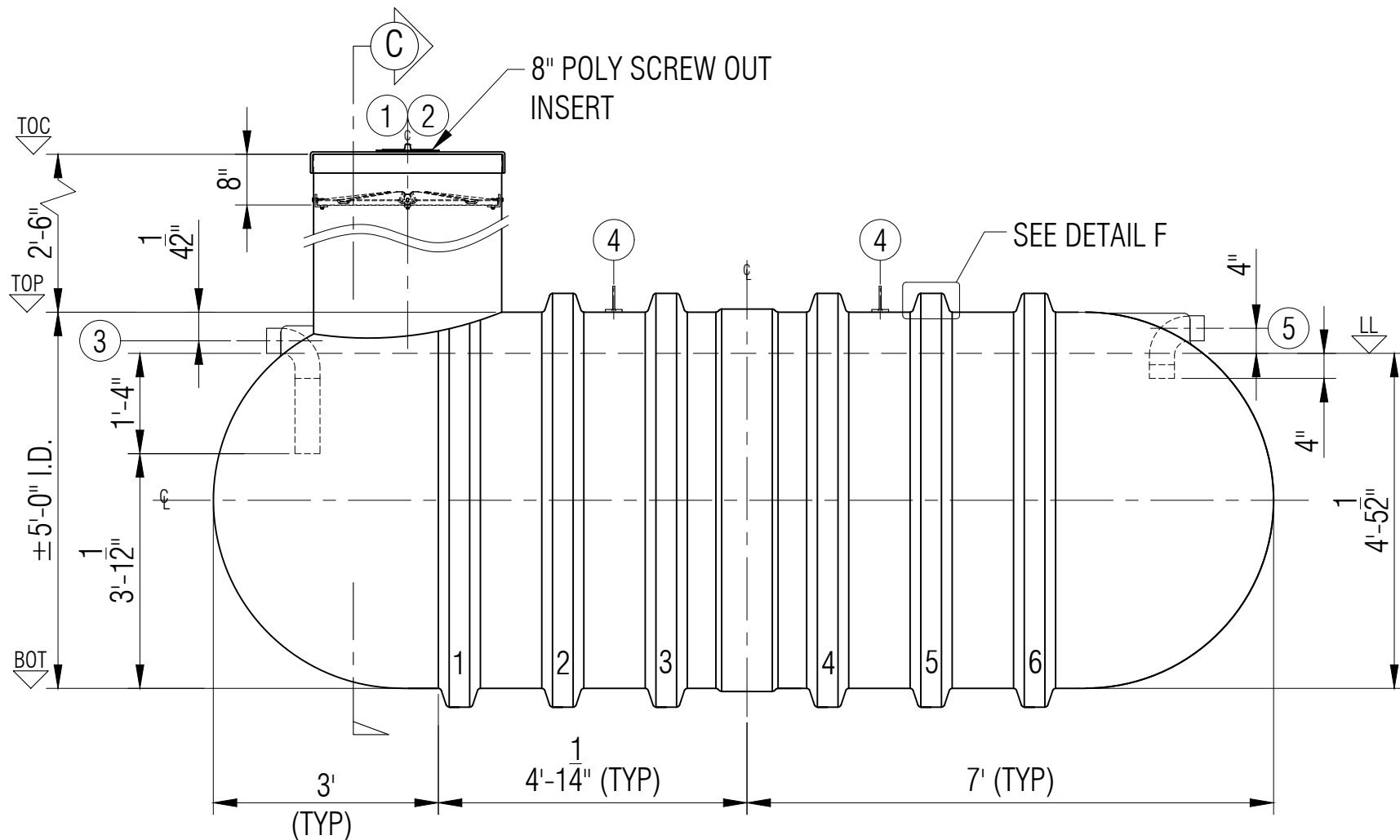
ELEVATION B



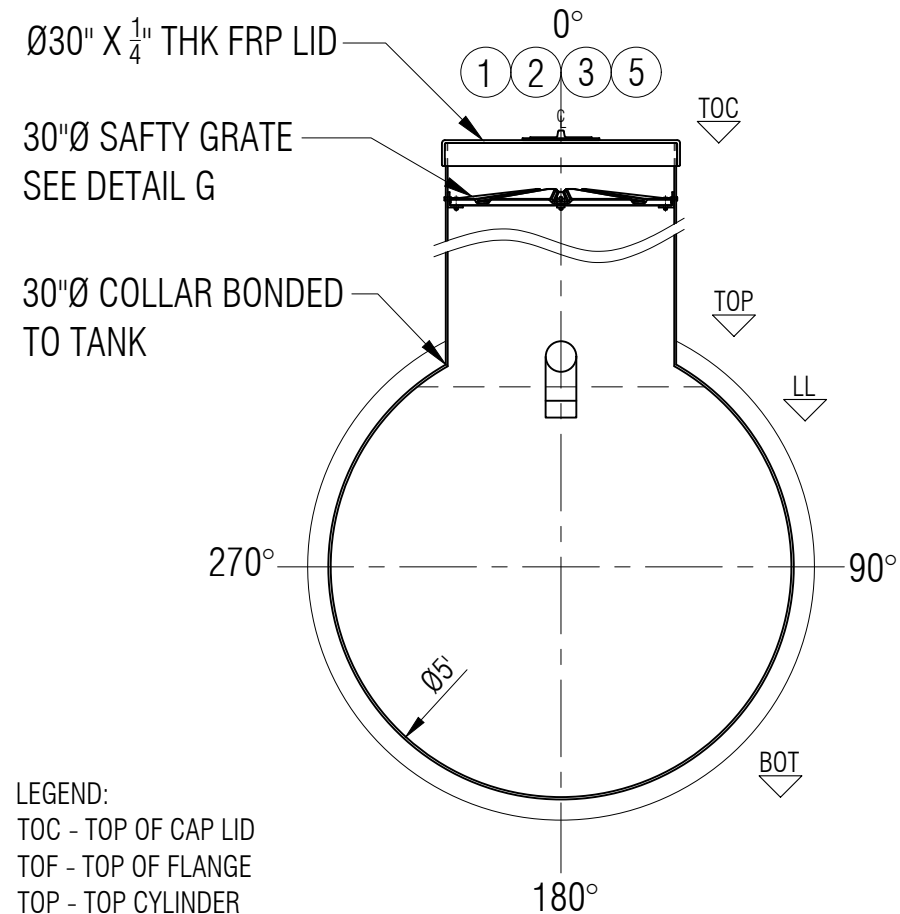
**TYPICAL BODY JOINT
DETAIL D**
NTS



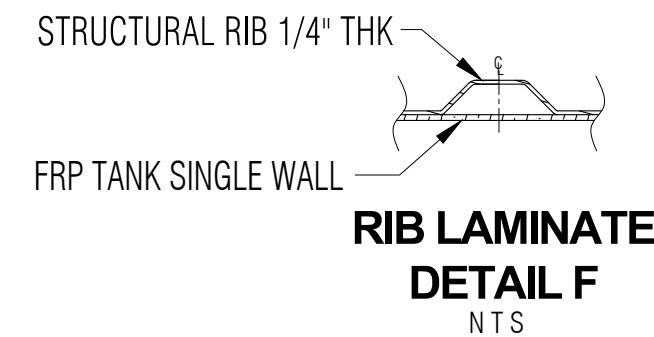
LAMINATE DETAIL E
NTS



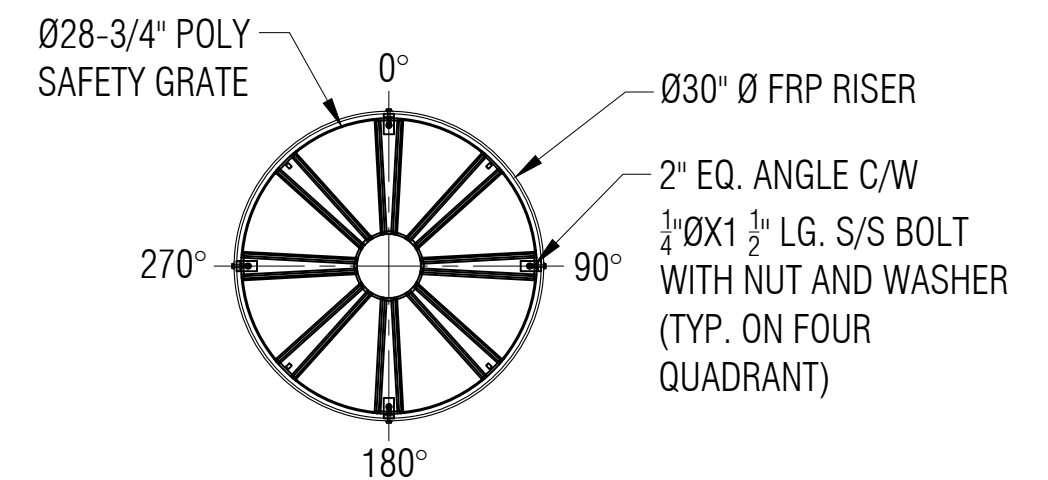
ELEVATION A



SECTION C



**RIB LAMINATE
DETAIL F**
NTS



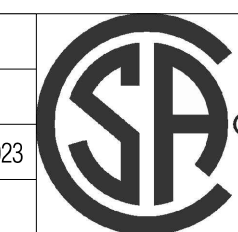
**SAFETY GRATE
DETAIL G**
SCALE: 1:15

LEGEND:
 TOC - TOP OF CAP LID
 TOF - TOP OF FLANGE
 TOP - TOP CYLINDER
 BOT - BOTTOM CYLINDER
 I/S - INSIDE
 LL - LIQUID LEVEL
 O.A.H.-OVERALL HEIGHT
 O.A.L.-OVERALL LENGTH
 I/S - INSIDE
 O/S - OUTSIDE
 Ø - DIAMETER
 ° - DEGREE/S
 TYP- TYPICAL
 CL - CENTER LINE
 NTS - NOT TO SCALE

GENERAL NOTES:

- CSA B66 CERTIFIED FRP SEWAGE HOLDING TANK.
- RATED FOR 7' OF BURIAL DEPTH AND NO TRAFFIC LOADING.
- ALL DRILLED HOLES FLANGES TO BE COATED WITH RESIN.
- SAFETY DEVISE CAN WITHSTAND 91 KG. OF DEAD LOAD.
- DIMENSIONS SHOWN IN FEET INCHES FORMAT OTHERWISE NOTED.
- 1/2" FABRICATION TOLERANCE. DOES NOT APPLY TO LAMINATE THICKNESS.

ITEM#	QTY	PART LIST	DESCRIPTION	SHELL THICKNESS: 0.300"	DRAWN: ATF
1	1	30" CAP LID W/ 8"Ø POLY SCREW OUT INSERT	FRP LID	DISH HEAD THICKNESS: 0.300"	CHECKED:
2	1	30"Ø MANWAY COLLAR	30"Ø FRP MANWAY	RIBS THICKNESS: 0.25" WITH 1 WR	DATE: JUNE 02, 2023
3	1	4" PVC-DWV 90°	OULET	RIB SPACING: 16-1/2" CL TO CL	DESIGNED:
4	2	MID STEEL	LIFT LUGS	WEIGHT: 340KG (750LBS)	APPROVED: MPS
5	1	4" PVC-DWV 90°	INLET	LENGTH: 4,267MM (14'-0")	MFG: DS
6	1	POLYETHYLENE SAFETY GRATE C/W HARDWARE	SAFETY GRATE	WORKING CAPACITY: 6,366 L (1,400 IG/1,680 USG)	QA: GA
7				OVERALL CAPACITY: 6,820 L (1,500 IG/1,800 USG)	SALES: TA



CLIENT: FRP/MOCOAT FIBERGLASS LTD.		REVISION: 0	
TITLE: T1500 FRP TRICKLE TANK		SHEET: 1/1	
FRP MOCOAT FIBERGLASS LTD.		SCALE: 1:25	
SIZE: C	DRAWING NUMBER: T1500	WEIGHT:	BURIAL DEPTH: RATED 7'-0"