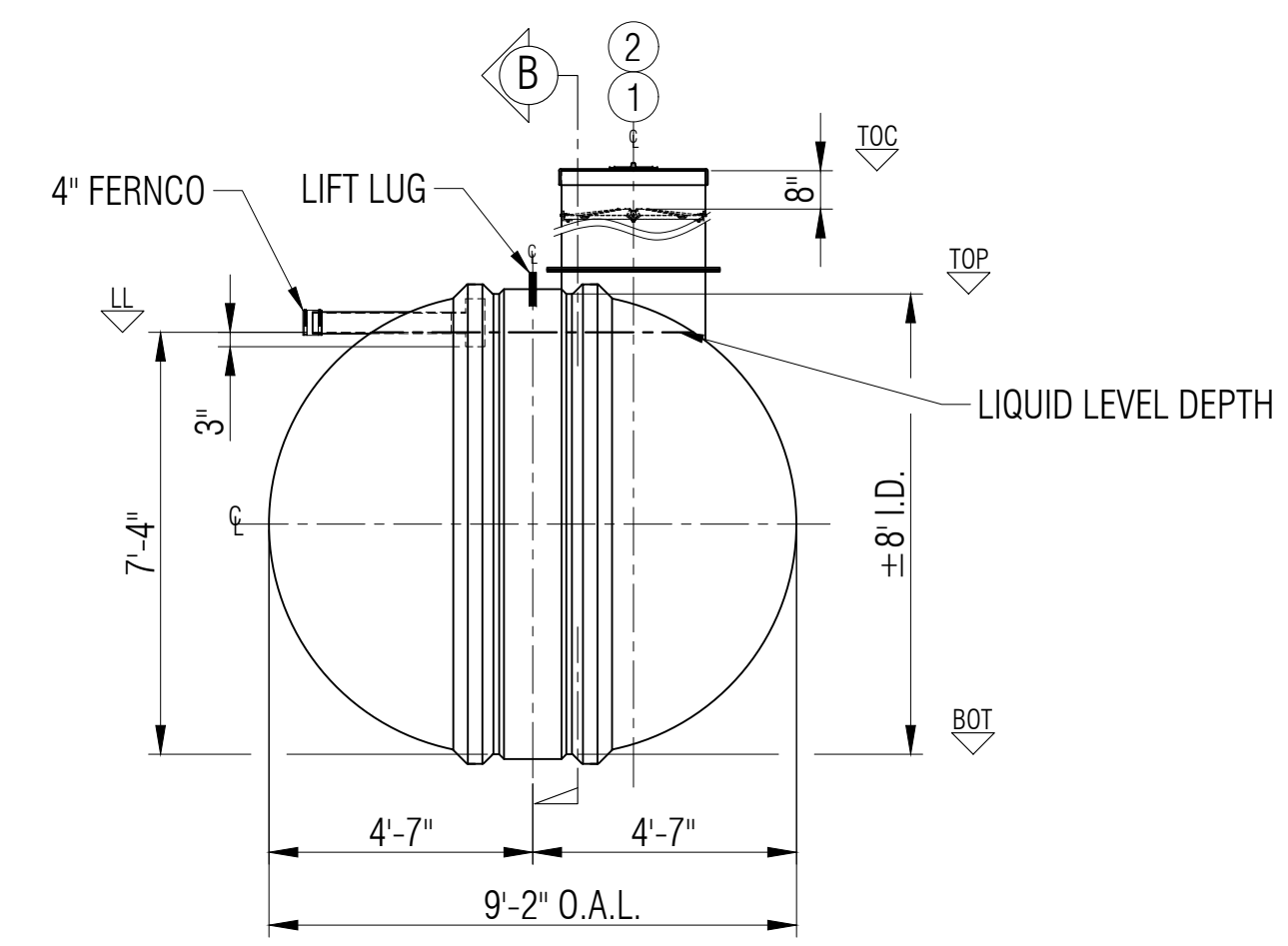
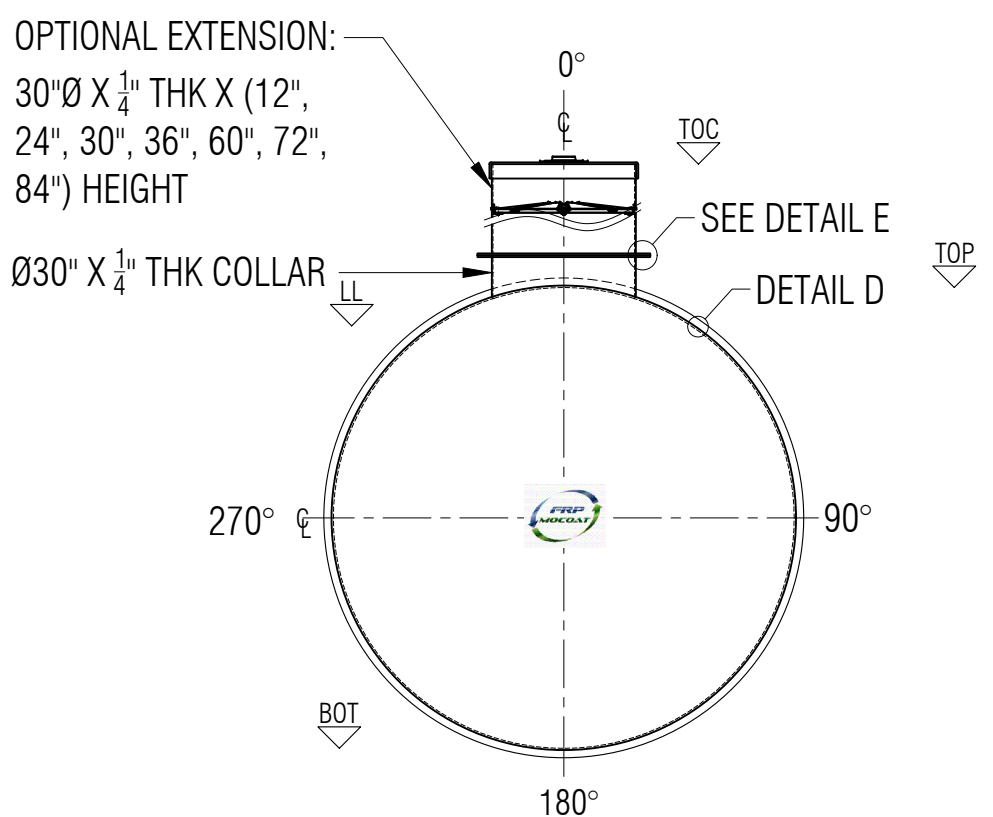


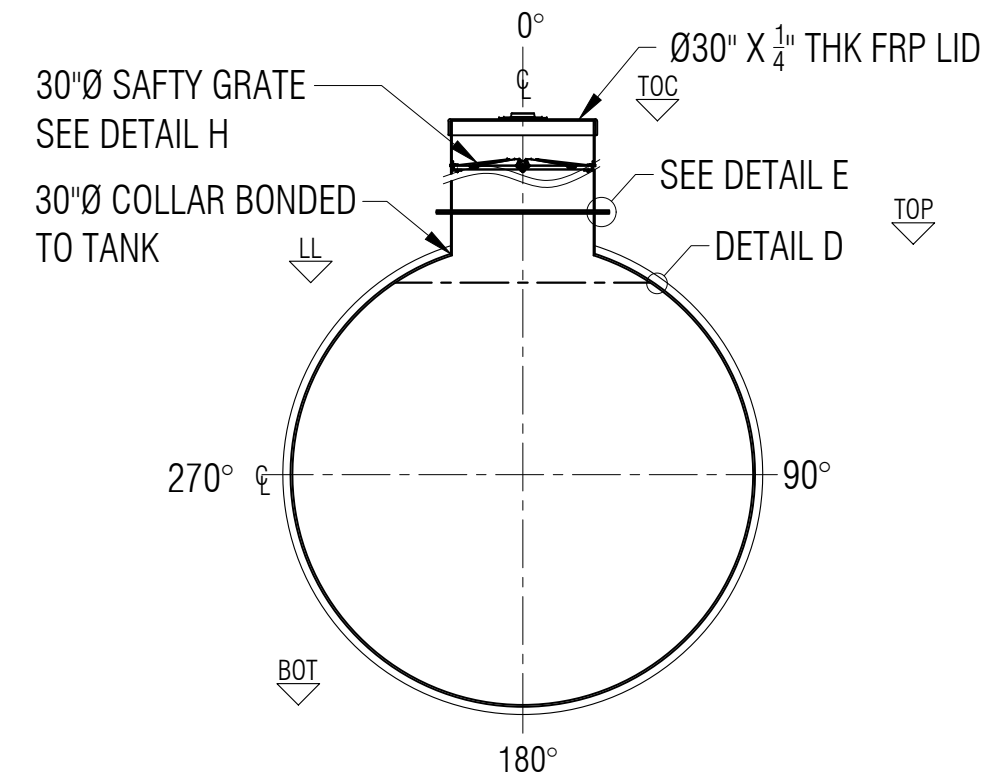
PLAN



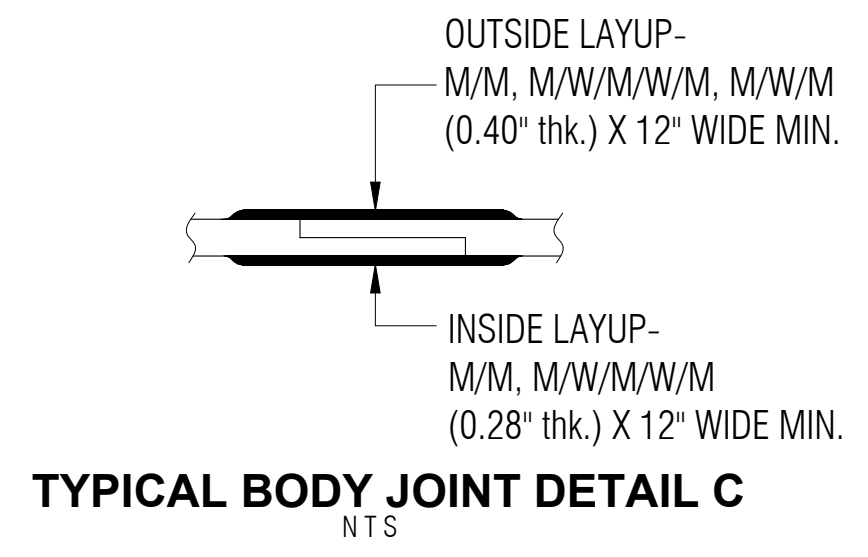
ELEVATION



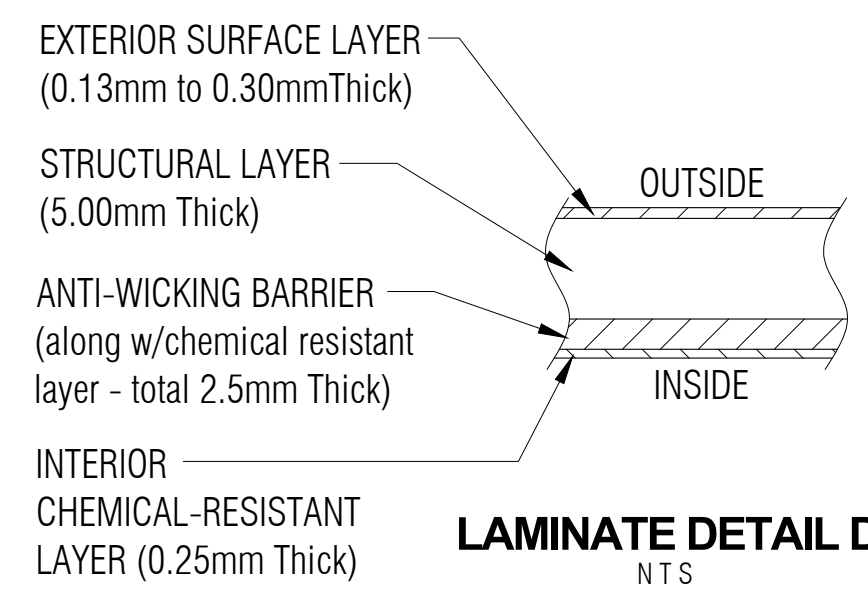
ELEVATION A



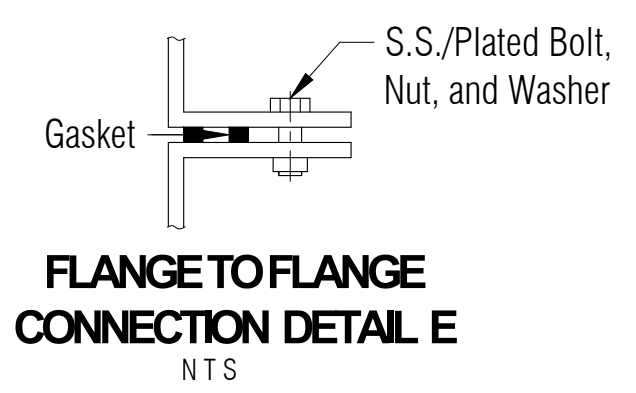
SECTION B



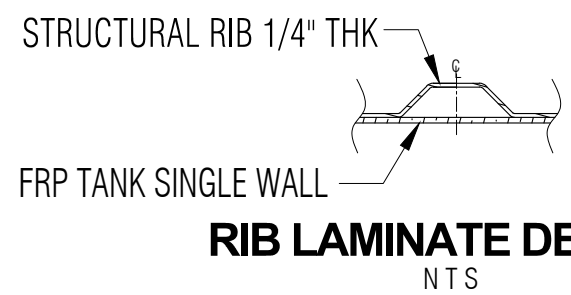
TYPICAL BODY JOINT DETAIL C



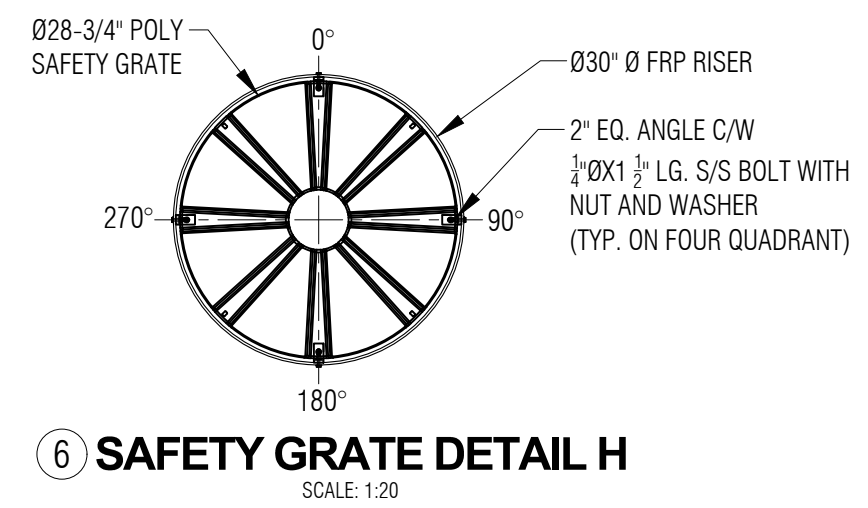
LAMINATE DETAIL D



FLANGE TO FLANGE CONNECTION DETAIL E



RIB LAMINATE DETAIL F



SAFETY GRATE DETAIL H

LEGEND:
 TOC - TOP OF CAP LID
 TOF - TOP OF FLANGE
 TOP - TOP CYLINDER
 BOT - BOTTOM CYLINDER
 I/S - INSIDE
 O/S - OUTSIDE
 Ø - DIAMETER
 ° - DEGREE/S
 TYP - TYPICAL
 CL - CENTER LINE
 NTS - NOT TO SCALE

GENERAL NOTES:
 - CSA B66 CERTIFIED FRP TANK FOR WASTE WATER.
 - RATED FOR 7' OF BURIAL DEPTH AND NO TRAFFIC LOADING.
 - ALL DRILLED HOLES FLANGES TO BE COATED WITH RESIN.
 - SAFETY DEVISE CAN WITHSTAND 91 KG. OF DEAD LOAD.
 - DIMENSIONS SHOWN IN FEET INCHES FORMAT OTHERWISE NOTED.
 - 1/2" FABRICATION TOLERANCE. DOES NOT APPLY TO LAMINATE THICKNESS.



ITEM#	QTY	PART LIST	DESCRIPTION	SHELL THICKNESS:	DRAWN:
1	1	30" CAP LID W/ 8"D POLY SCREW OUT INSERT		0.375"	CCL/ATF
2	1	30" Ø MANWAY COLLAR	30" Ø FRP COLLAR	HEMI HEAD THICKNESS: 0.475"	CHECKED: ATF
3	1	4" FERNCO	FLEXIBLE CONNECTOR	RIBS THICKNESS: 0.25"	DATE: MAR. 10, 2023
4	1	4" Ø PVC PIPE & TEEWYE	INLET	RIB SPACING: 24" (CL to CL)	DESIGNED: FRP
5	1	MILD STEEL	LIFT LUG	LENGTH: 2,794MM (9'-2")	APPROVED: MPS
6	1	POLYETHYLENE SAFETY GRATE C/W HARDWARE	SAFETY GRATE	WORKING CAPACITY: 9,030L (1,966 IG/2,383 USG)	MFG:
				OVERALL CAPACITY: 9,250L (2,035 IG/2,442 USG)	PM:
					SALES:

CLIENT: FRP/MOCOAT		REVISION 0
TITLE: B2000S FIBERGLASS HOLDING TANK		
SIZE C	DRAWING NUMBER: B2000S	SHEET 1/1
	SCALE 1:40	
	BURIAL DEPTH: RATED 7'-0"	