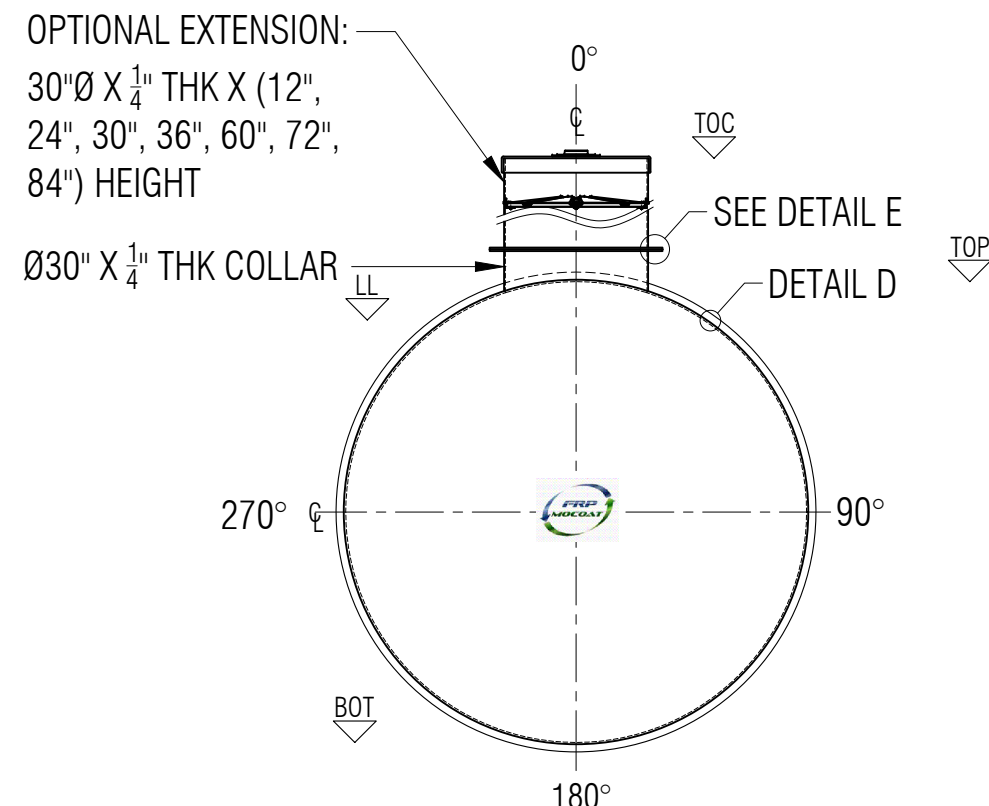
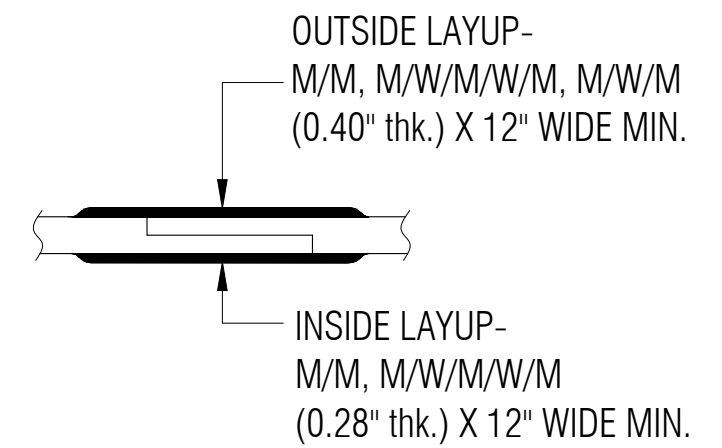


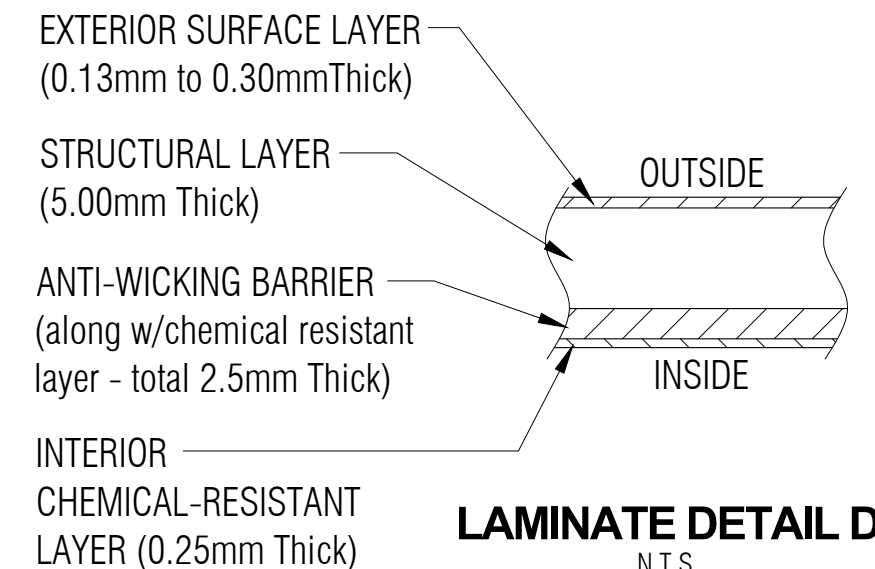
PLAN



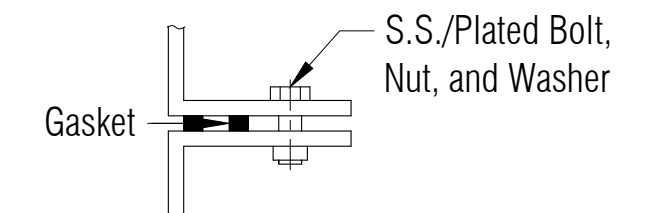
ELEVATION A



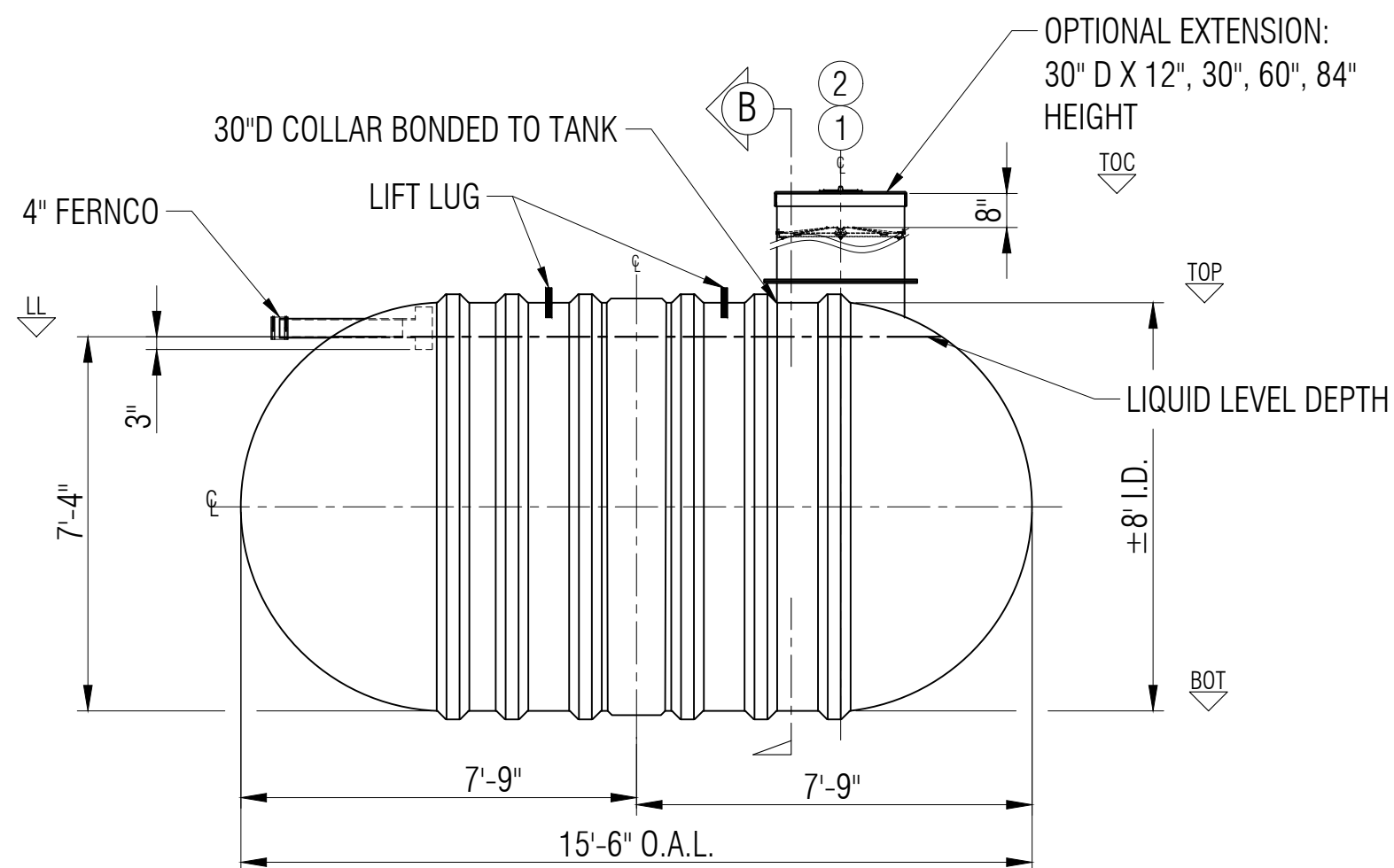
TYPICAL BODY JOINT DETAIL C
NTS



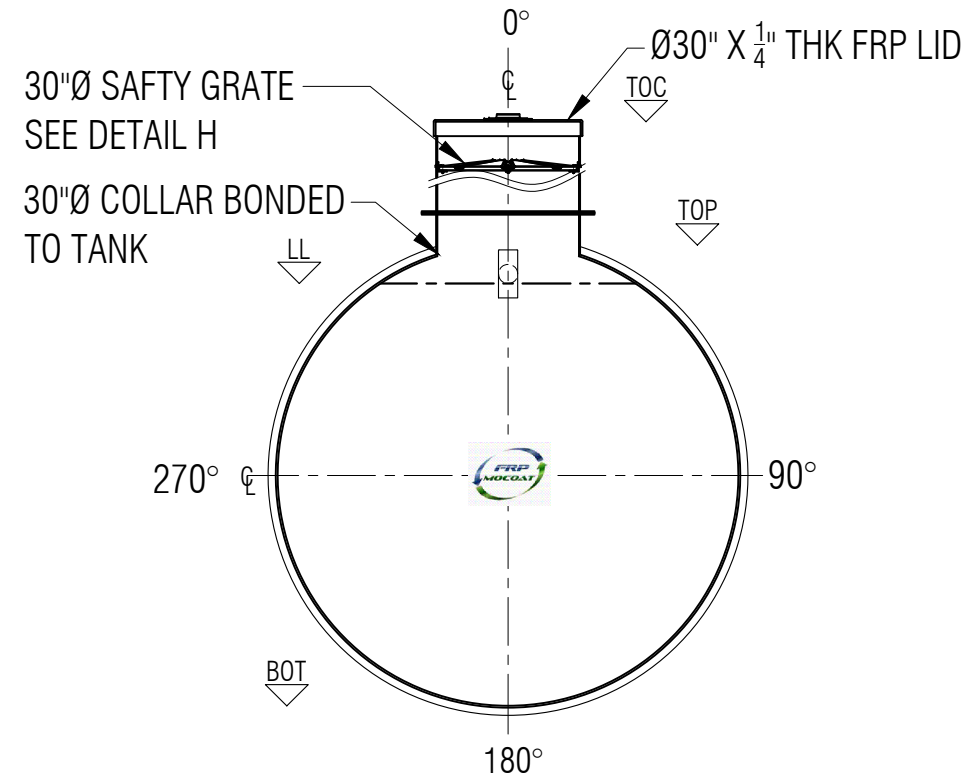
LAMINATE DETAIL D
NTS



FLANGE TO FLANGE CONNECTION DETAIL E
NTS



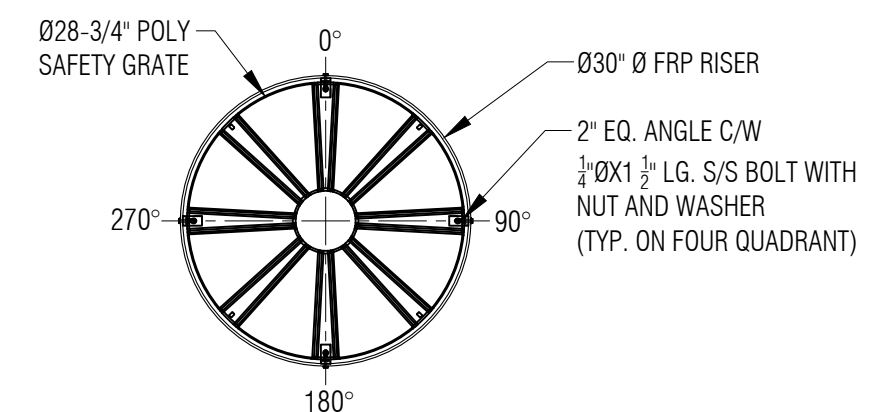
ELEVATION



SECTION B



RIB LAMINATE DETAIL F
NTS



SAFETY GRATE DETAIL H
SCALE: 1:20

- LEGEND:**
 TOC - TOP OF CAP LID
 TOF - TOP OF FLANGE
 TOP - TOP CYLINDER
 BOT - BOTTOM CYLINDER
 I/S - INSIDE
 LL - LIQUID LEVEL
 O.A.H. - OVERALL HEIGHT
 O.A.L. - OVERALL LENGTH
 I/S - INSIDE
 O/S - OUTSIDE
 Ø - DIAMETER
 ° - DEGREE/S
 TYP - TYPICAL
 CL - CENTER LINE
 NTS - NOT TO SCALE

- GENERAL NOTES:**
 - CSA B66 CERTIFIED FRP TANK FOR WASTE WATER.
 - RATED FOR 7' OF BURIAL DEPTH AND NO TRAFFIC LOADING.
 - ALL DRILLED HOLES FLANGES TO BE COATED WITH RESIN.
 - SAFETY DEVICE CAN WITHSTAND 91 KG. OF DEAD LOAD.
 - DIMENSIONS SHOWN IN FEET INCHES FORMAT OTHERWISE NOTED.
 - 1/2" FABRICATION TOLERANCE. DOES NOT APPLY TO LAMINATE THICKNESS.



ITEM#	QTY	PART LIST	DESCRIPTION	SHELL THICKNESS:	0.375"	DRAWN:	CCL/ATF
1	1	30" CAP LID W/ 8"D POLY SCREW OUT INSERT		HEMI HEAD THICKNESS:	0.475"	CHECKED:	ATF
2	1	30" Ø MANWAY COLLAR	30" Ø FRP COLLAR	RIBS THICKNESS:	0.25"	DATE:	MAR. 10, 2023
3	1	4" FERNCO	FLEXIBLE CONNECTOR	RIB SPACING:	17-1/4" (CL to CL)	DESIGNED:	FRP
4	1	4" Ø PVC PIPE & TEEWYE	INLET	LENGTH:	4,724MM (15'-6")	APPROVED:	MPS
5	2	MILD STEEL	LIFT LUGS	WORKING CAPACITY:	17,680L (3,889IG/4,667 USG)	MFG:	
6	1	POLYETHYLENE SAFETY GRATE C/W HARDWARE	SAFETY GRATE	OVERALL CAPACITY:	18,262L (4,016IG/4,819 USG)	PM:	
						SALES:	

CLIENT: FRP/MOCOAT		REVISION: 0	
TITLE: B4000S FIBERGLASS HOLDING TANK		SHEET: 1/1	
		SIZE: C	DRAWING NUMBER: B4000S
		SCALE: 1:40	WEIGHT: 771 KG (1,700 LBS)
		BURIAL DEPTH:	RATED 7'-0"