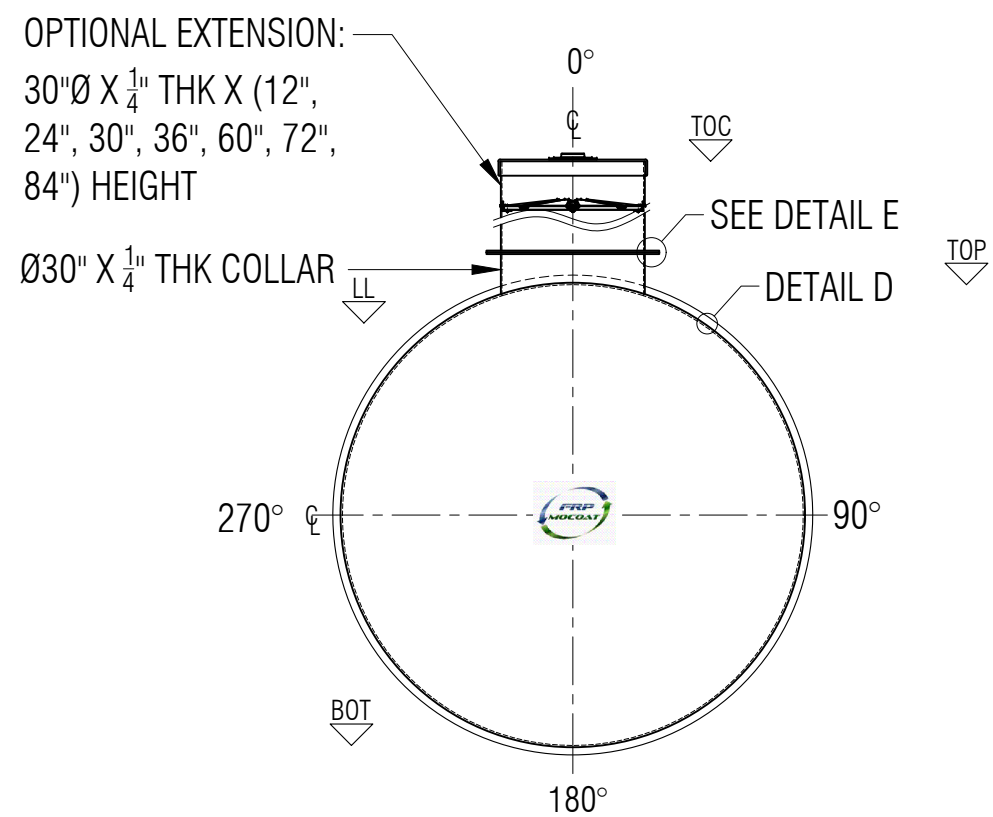
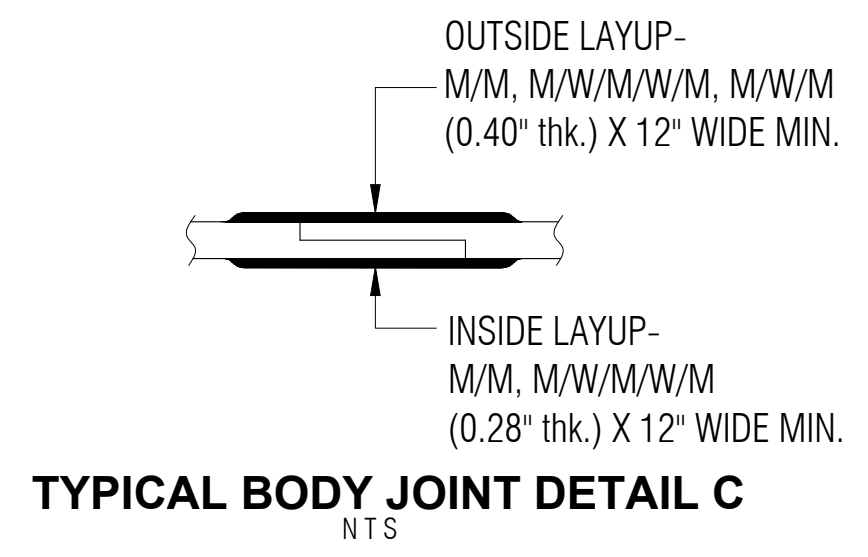


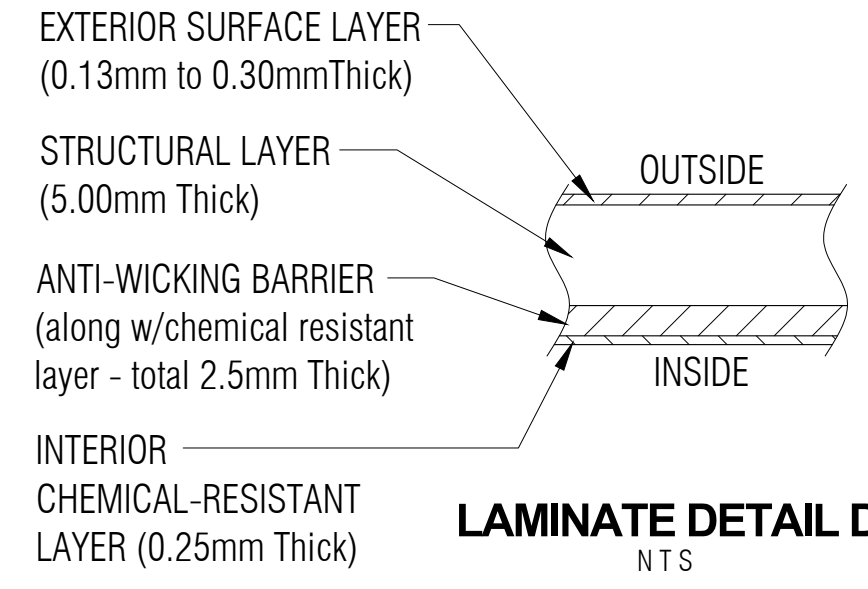
**PLAN**



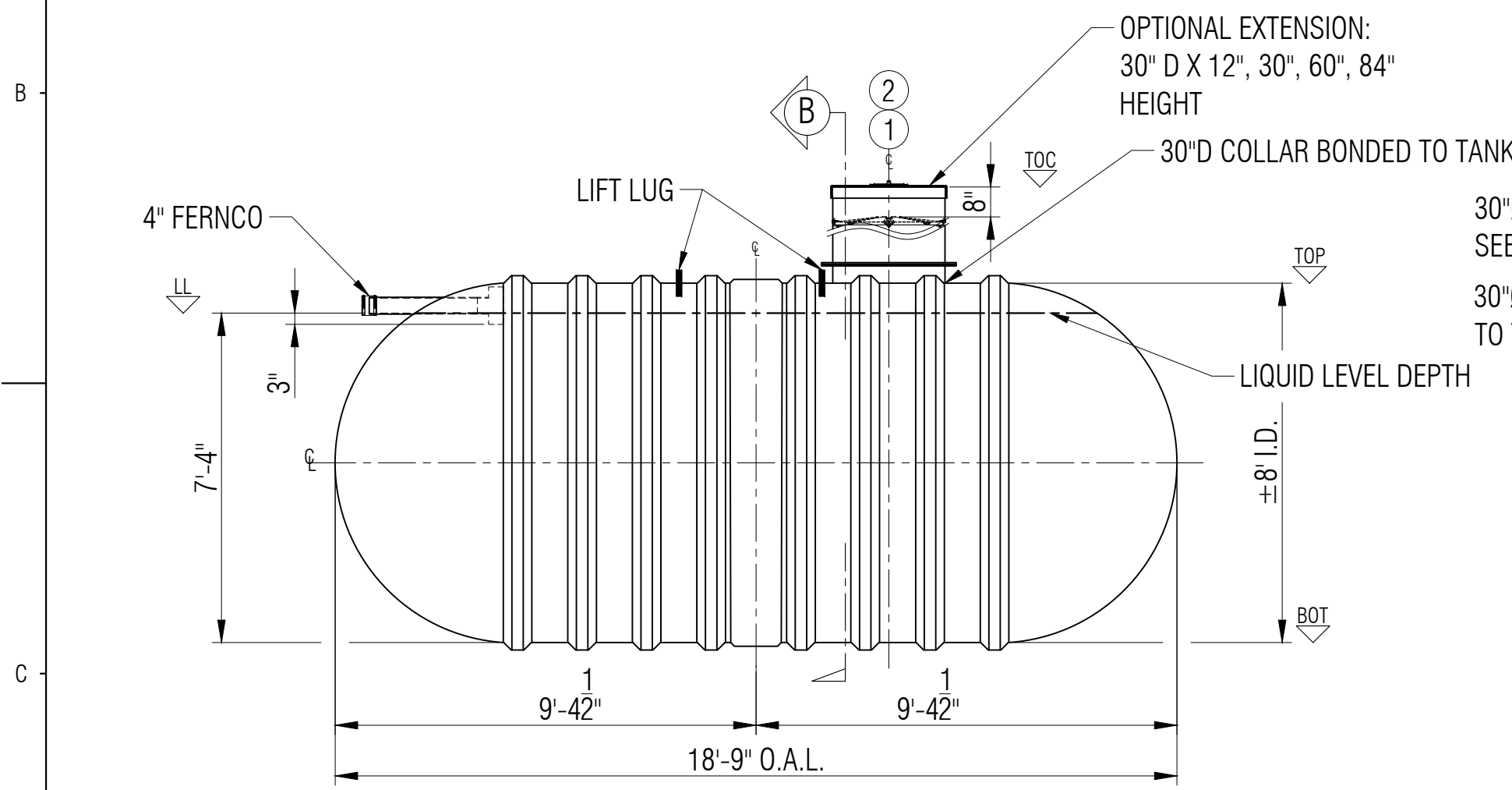
**ELEVATION A**



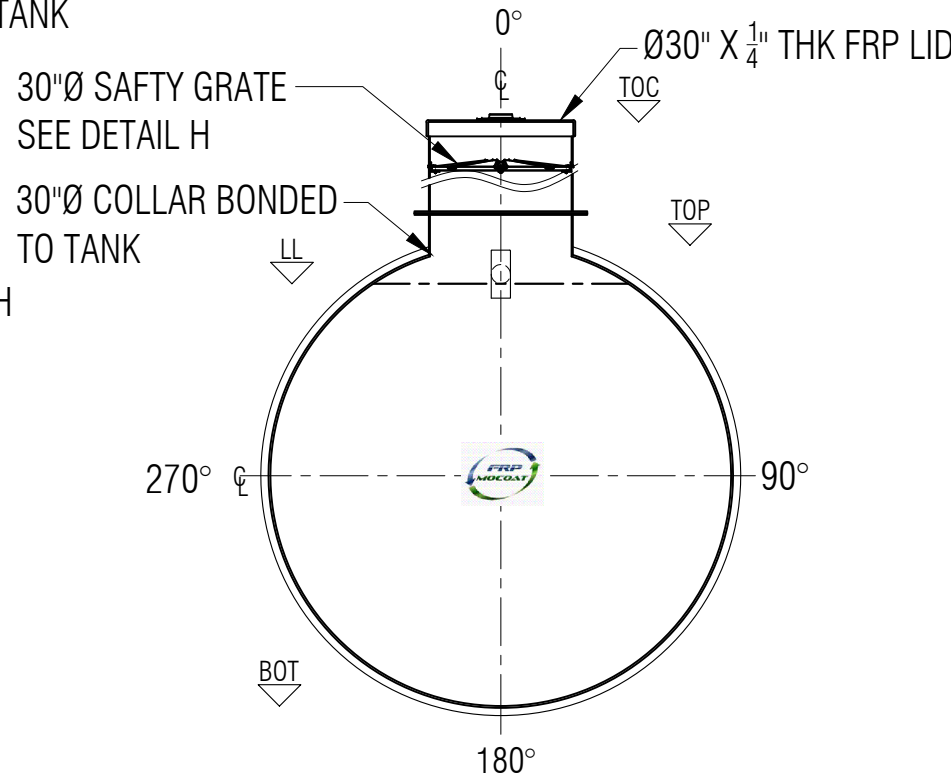
**TYPICAL BODY JOINT DETAIL C**



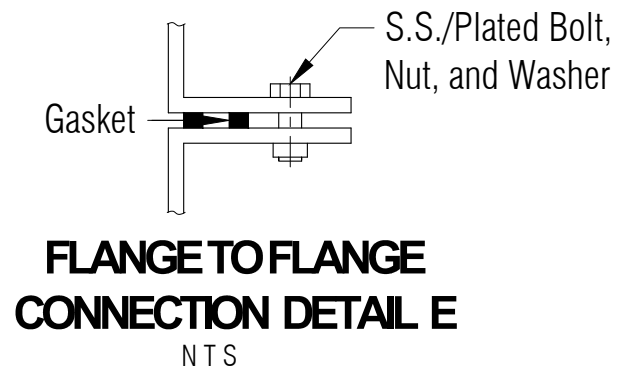
**LAMINATE DETAIL D**



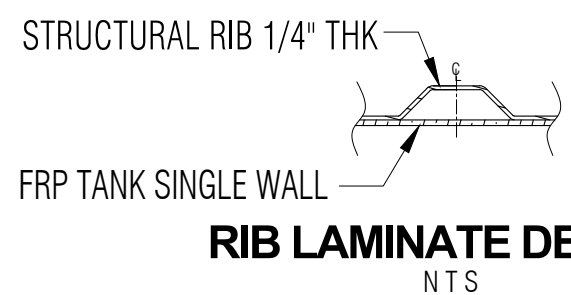
**ELEVATION**



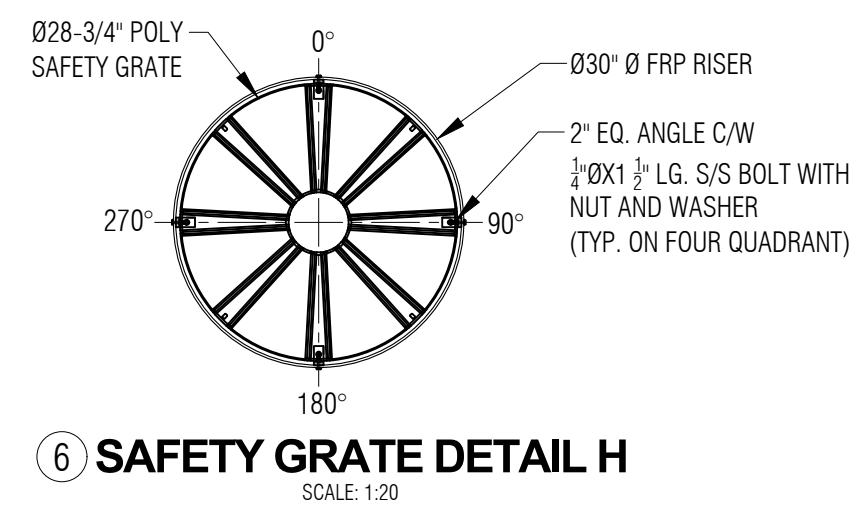
**SECTION B**



**FLANGE TO FLANGE CONNECTION DETAIL E**



**RIB LAMINATE DETAIL F**



**SAFETY GRATE DETAIL H**

- LEGEND:**  
 TOC - TOP OF CAP LID  
 TOF - TOP OF FLANGE  
 TOP - TOP CYLINDER  
 BOT - BOTTOM CYLINDER  
 I/S - INSIDE  
 O/S - OUTSIDE  
 Ø - DIAMETER  
 ° - DEGREE/S  
 TYP - TYPICAL  
 CL - CENTER LINE  
 NTS - NOT TO SCALE

**GENERAL NOTES:**  
 - CSA B66 CERTIFIED FRP TANK FOR WASTE WATER.  
 - RATED FOR 7' OF BURIAL DEPTH AND NO TRAFFIC LOADING.  
 - ALL DRILLED HOLES FLANGES TO BE COATED WITH RESIN.  
 - SAFETY DEVICE CAN WITHSTAND 91 KG. OF DEAD LOAD.  
 - DIMENSIONS SHOWN IN FEET INCHES FORMAT OTHERWISE NOTED.  
 - 1/2" FABRICATION TOLERANCE. DOES NOT APPLY TO LAMINATE THICKNESS.



ITEM#	QTY	PART LIST	DESCRIPTION	SHELL THICKNESS: 0.375"	DRAWN: CCL/ATF
1	1	30" CAP LID W/ 8"D POLY SCREW OUT INSERT		HEMI HEAD THICKNESS: 0.475"	CHECKED: ATF
2	1	30"Ø MANWAY COLLAR	30"Ø FRP COLLAR	RIBS THICKNESS: 0.25"	DATE: MAR. 10, 2023
3	1	4" FERNCO	FLEXIBLE CONNECTOR	RIB SPACING: 17-1/4" (CL to CL)	DESIGNED: FRP
4	1	4"Ø PVC PIPE & TEEWYE	INLET	LENGTH: 5,715MM (18'-9")	APPROVED: MPS
5	2	MILD STEEL	LIFT LUGS	WORKING CAPACITY: 22,120L (4,866 IG/5,839 USG)	MFG:
6	1	POLYETHYLENE SAFETY GRATE C/W HARDWARE	SAFETY GRATE	OVERALL CAPACITY: 22,886 L (5,034 IG/6,040 USG)	PM:
					SALES:

CLIENT: FRP/MOCOAT		REVISION: 0	
TITLE: <b>B5000S FIBERGLASS HOLDING TANK</b>		SHEET: 1/1	
		SIZE: C	DRAWING NUMBER: B5000S
		SCALE: 1:40	WEIGHT: 975 KG (2,150 LBS)
		BURIAL DEPTH:	RATED 7'-0"