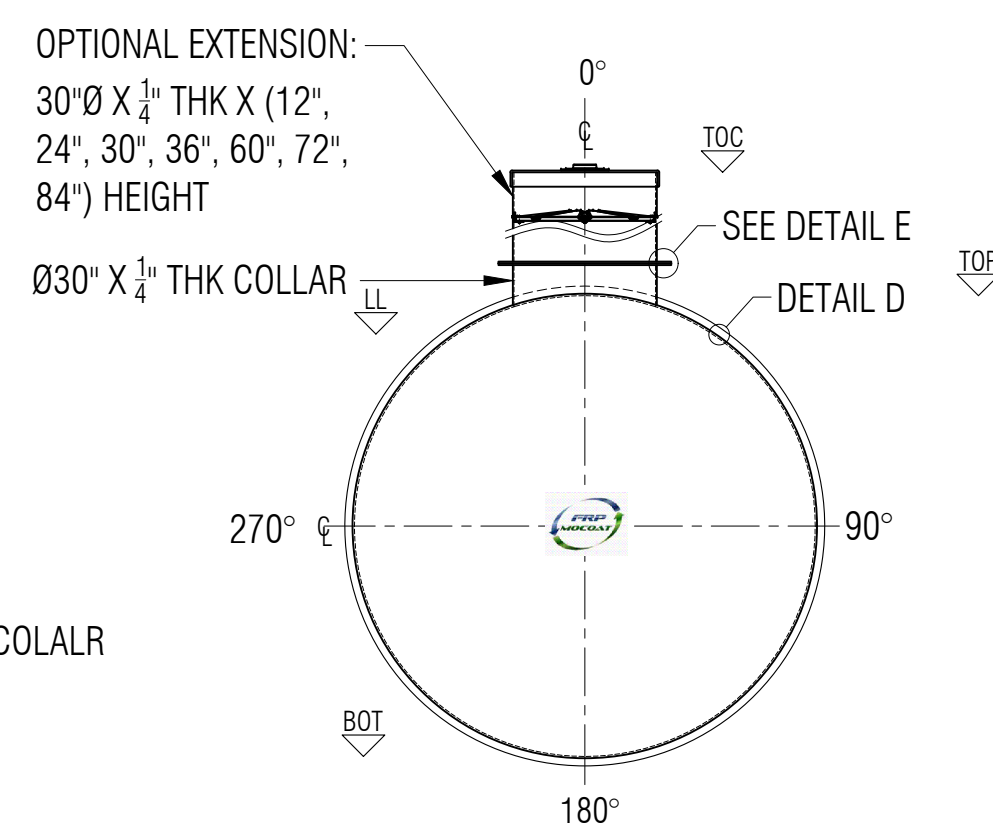
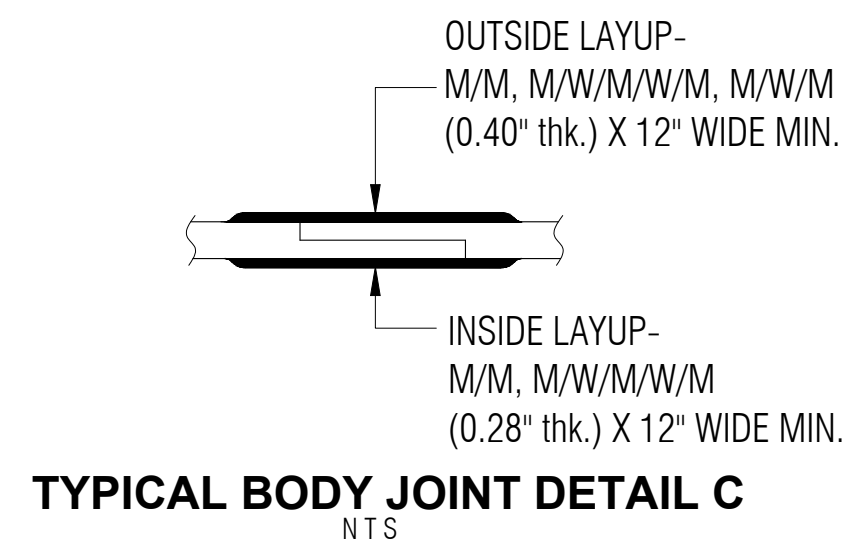


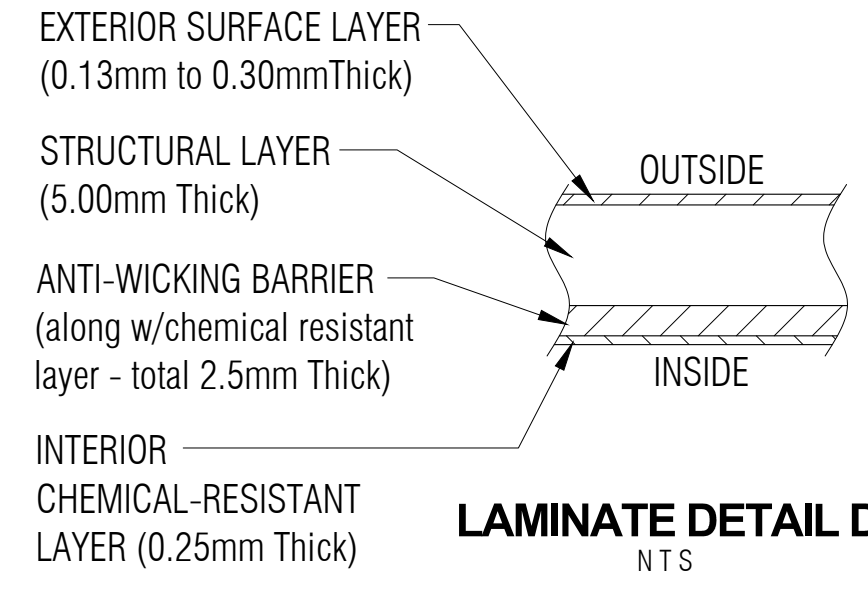
PLAN



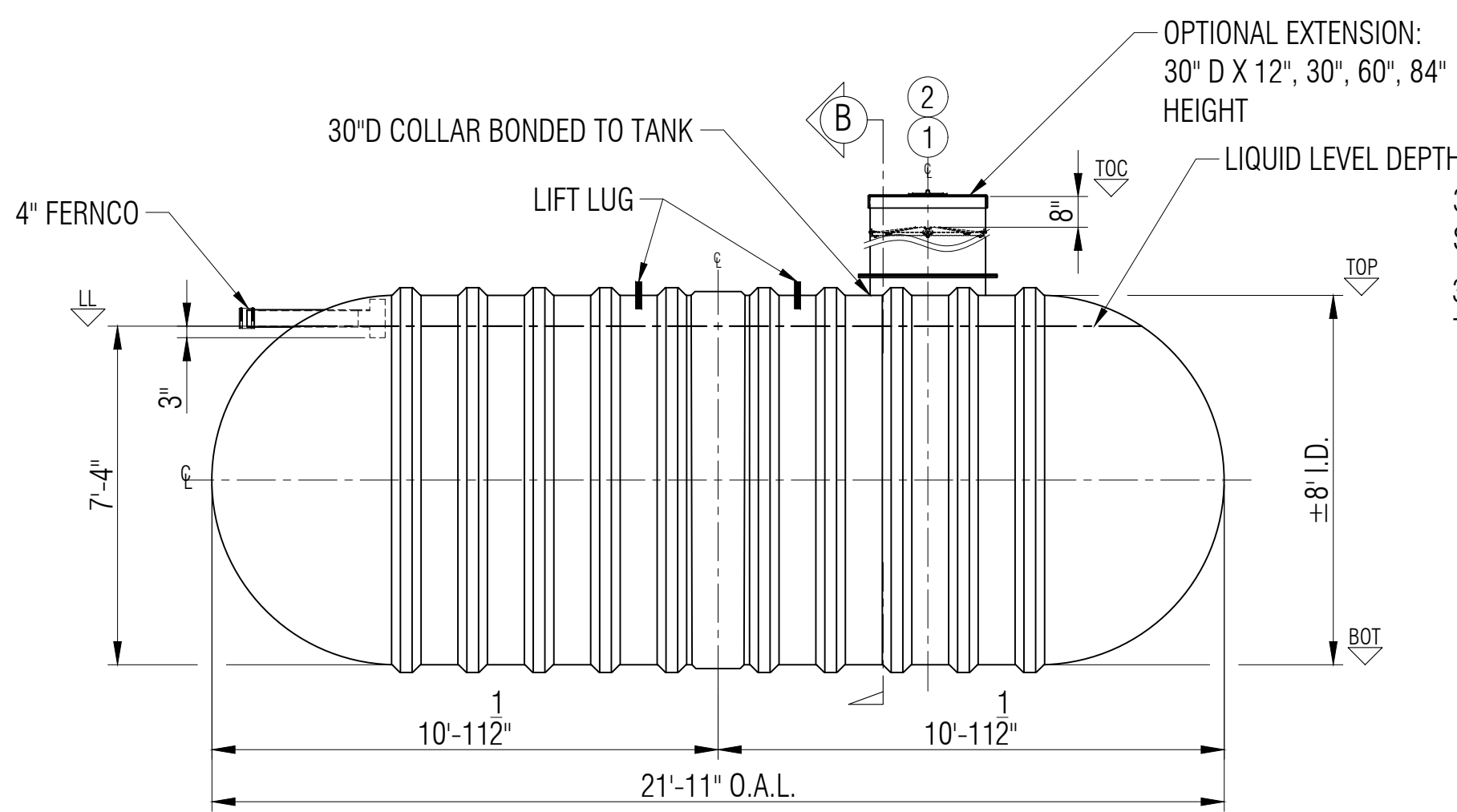
ELEVATION A



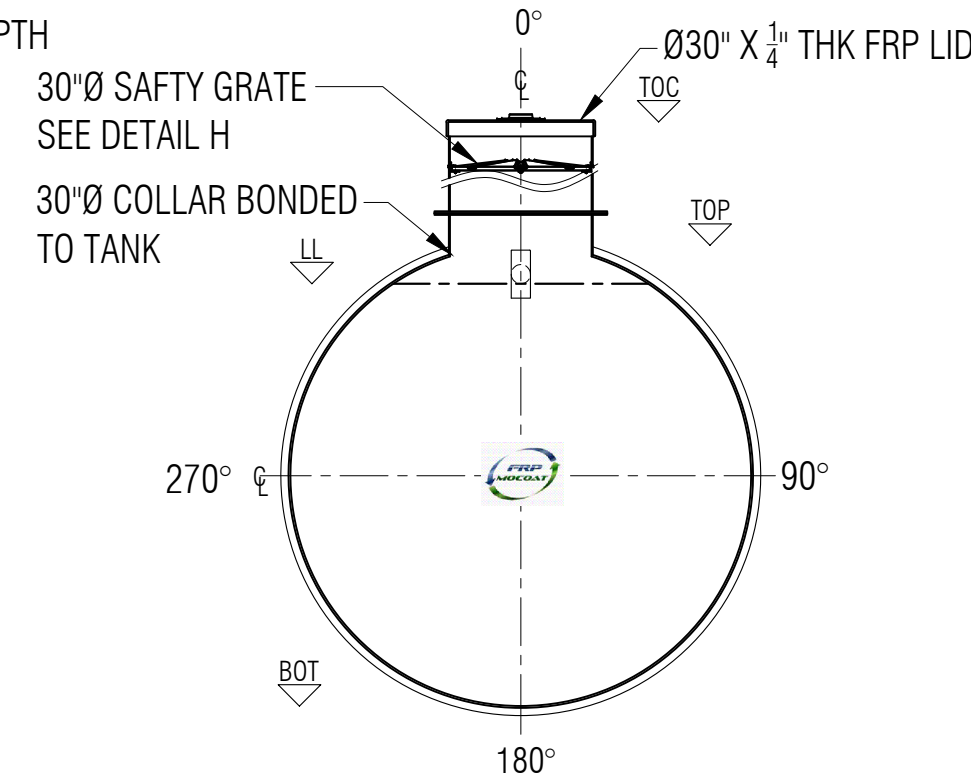
TYPICAL BODY JOINT DETAIL C
NTS



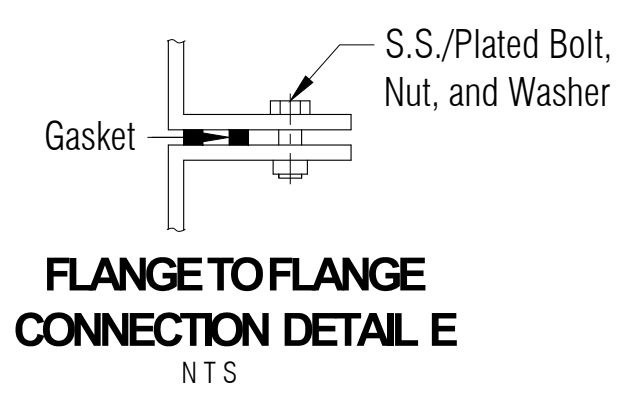
LAMINATE DETAIL D
NTS



ELEVATION



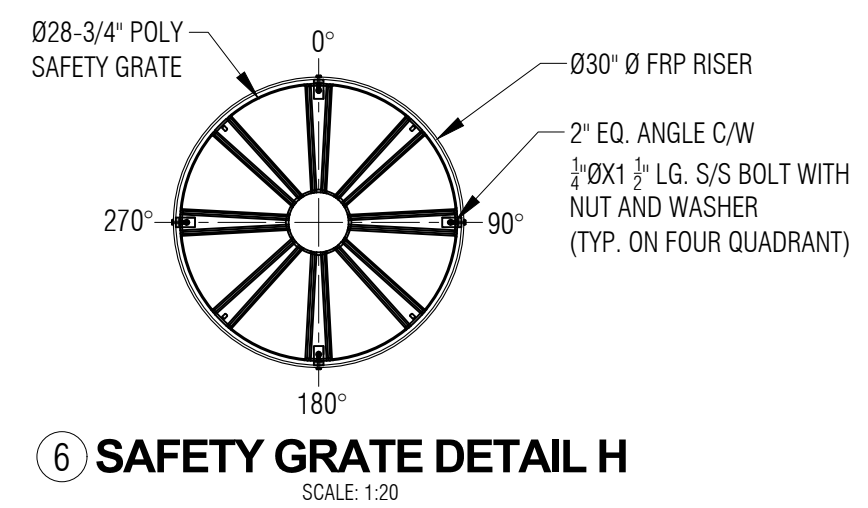
SECTION B



FLANGE TO FLANGE CONNECTION DETAIL E
NTS



RIB LAMINATE DETAIL F
NTS



SAFETY GRATE DETAIL H
SCALE: 1:20

LEGEND:
 TOC - TOP OF CAP LID
 TOF - TOP OF FLANGE
 TOP - TOP CYLINDER
 BOT - BOTTOM CYLINDER
 I/S - INSIDE
 LL - LIQUID LEVEL
 O.A.H.-OVERALL HEIGHT
 O.A.L.-OVERALL LENGTH
 I/S - INSIDE
 O/S - OUTSIDE
 Ø - DIAMETER
 ° - DEGREE/S
 TYP- TYPICAL
 CL - CENTER LINE
 NTS - NOT TO SCALE

GENERAL NOTES:
 - CSA B66 CERTIFIED FRP TANK FOR WASTE WATER.
 - RATED FOR 7' OF BURIAL DEPTH AND NO TRAFFIC LOADING.
 - ALL DRILLED HOLES FLANGES TO BE COATED WITH RESIN.
 - SAFETY DEVISE CAN WITHSTAND 91 KG. OF DEAD LOAD.
 - DIMENSIONS SHOWN IN FEET INCHES FORMAT OTHERWISE NOTED.
 - 1/2" FABRICATION TOLERANCE. DOES NOT APPLY TO LAMINATE THICKNESS.



ITEM#	QTY	PART LIST	DESCRIPTION	SHELL THICKNESS:	DRAWN:
1	1	30" CAP LID W/ 8"D POLY SCREW OUT INSERT		0.375"	CCL/ATF
2	1	30"Ø MANWAY COLLAR	30"Ø FRP COLLAR	HEMI HEAD THICKNESS: 0.475"	CHECKED: ATF
3	1	4" FERNCO	FLEXIBLE CONNECTOR	RIBS THICKNESS: 0.25"	DATE: MAR. 10, 2023
4	1	4"Ø PVC PIPE & TEEWYE	INLET	RIB SPACING: 17-1/4" (CL to CL)	DESIGNED: FRP
5	2	MILD STEEL	LIFT LUGS	LENGTH: 6,693MM (21'-11")	APPROVED: MPS
6	1	POLYETHYLENE SAFETY GRATE C/W HARDWARE	SAFETY GRATE	WORKING CAPACITY: 26,521L (6,834 IG/7,006 USG)	MFG:
				OVERALL CAPACITY: 27,374 L (6,022 IG/7,226 USG)	PM:
					SALES:

CLIENT: FRP/MOCOAT		REVISION: 0	
TITLE: B6000S FIBERGLASS HOLDING TANK		SHEET: 1/1	
FRP/MOCOAT FIBERGLASS LTD.	SIZE: C	DRAWING NUMBER: B6000S	WEIGHT: 1,111 KG (2,450 LBS)
	SCALE: 1:40	BURIAL DEPTH: RATED 7'-0"	