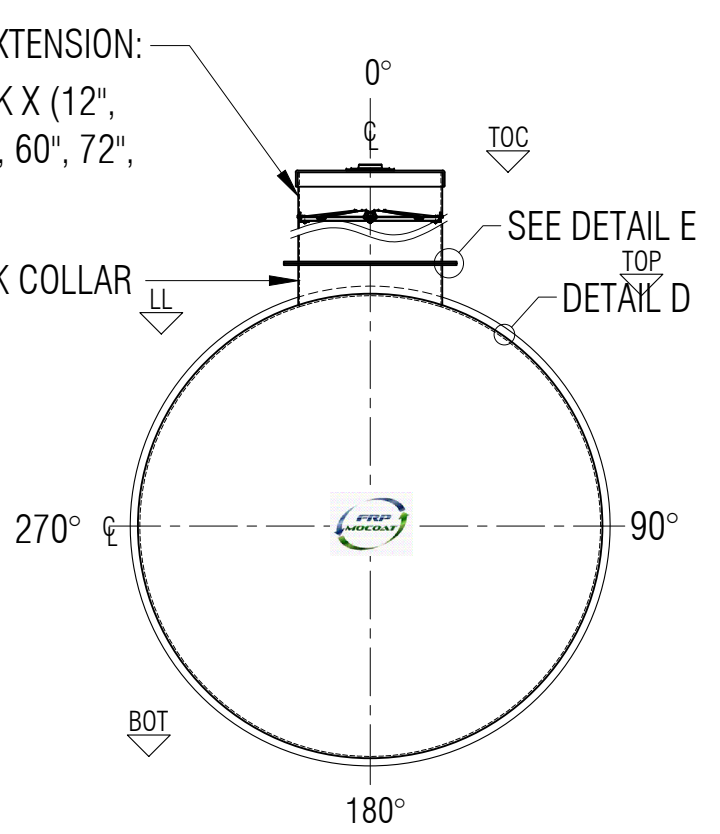


PLAN

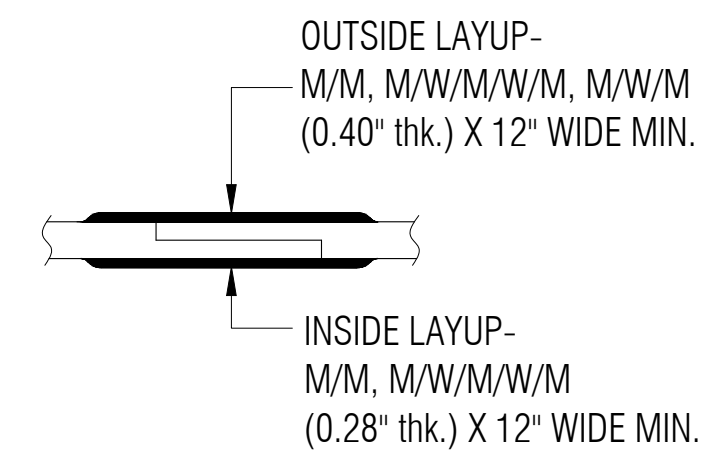
OPTIONAL EXTENSION:
30"Ø X 1/4" THK X (12",
24", 30", 36", 60", 72",
84") HEIGHT

Ø30" X 1/4" THK COLLAR

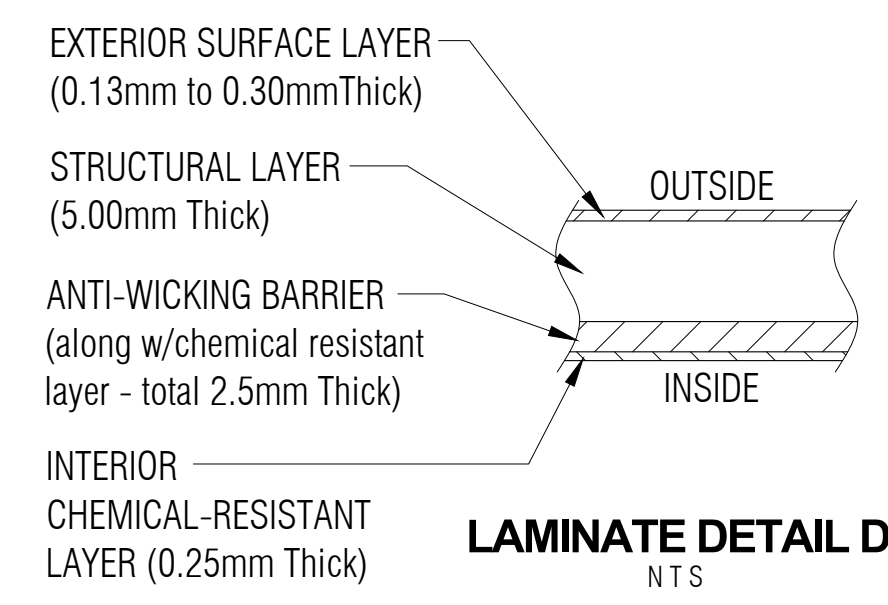
Ø30" D COLALR



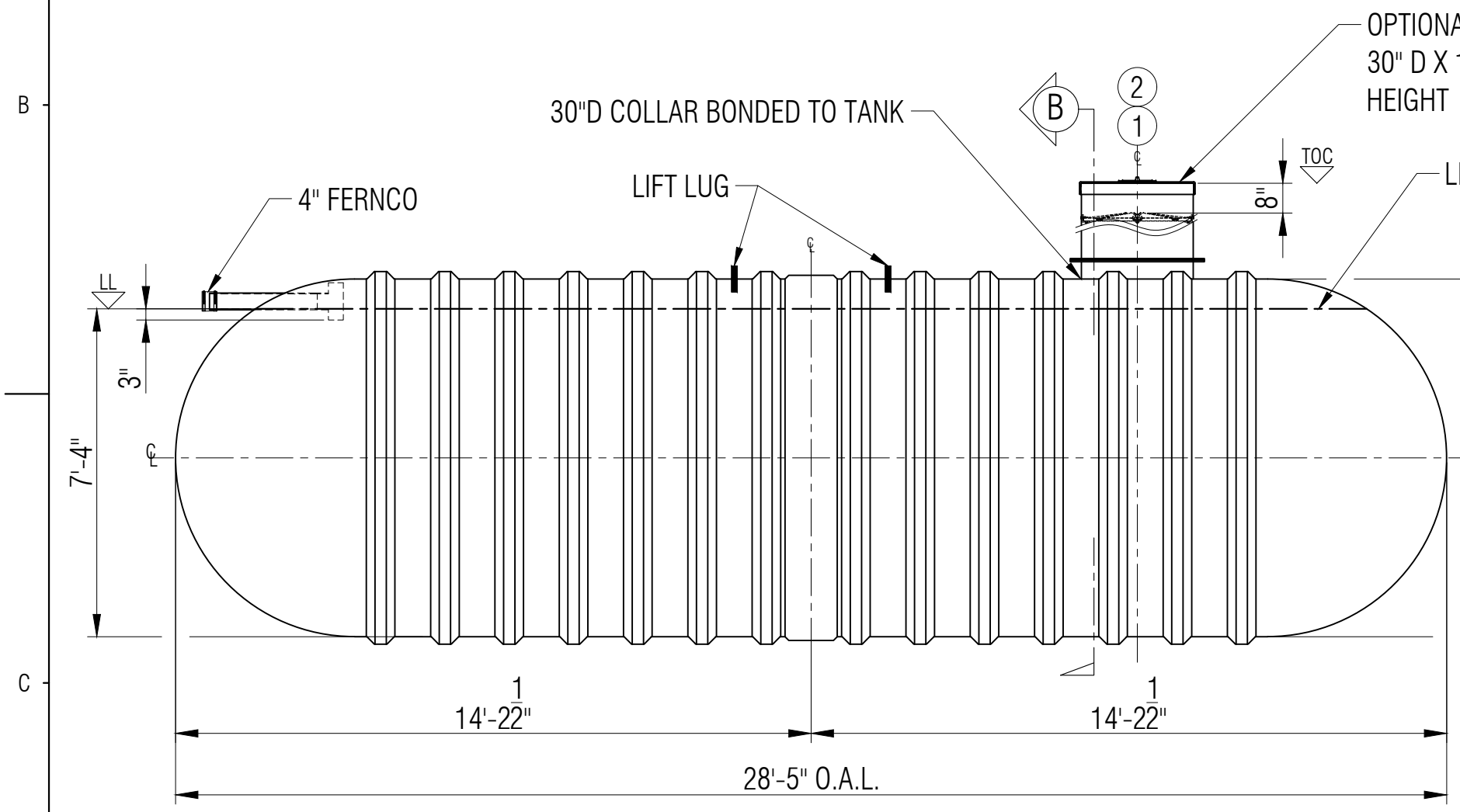
ELEVATION A



TYPICAL BODY JOINT DETAIL C
NTS



LAMINATE DETAIL D
NTS



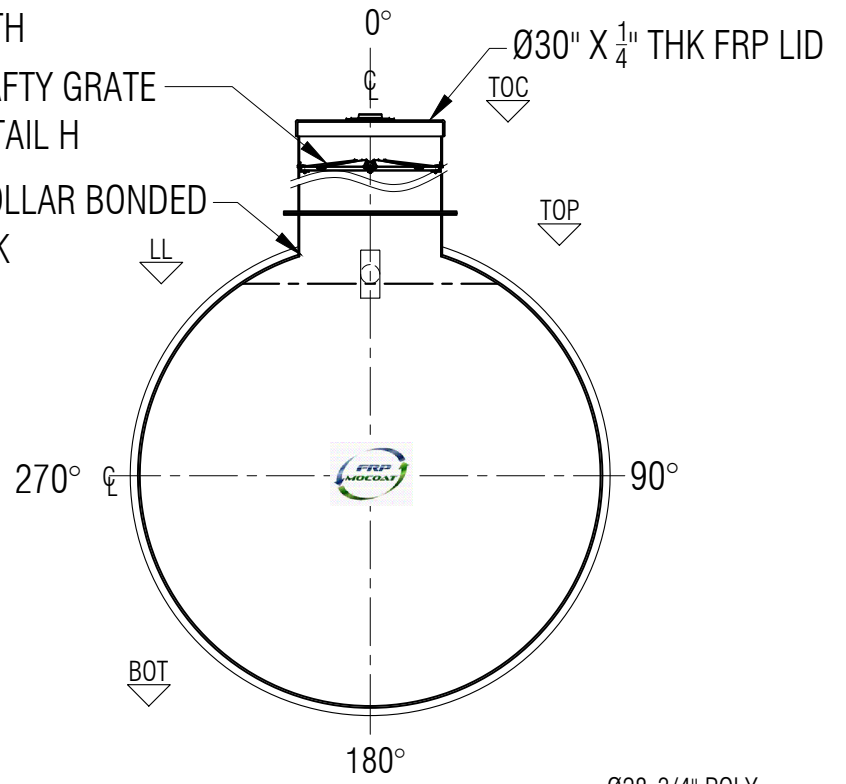
ELEVATION

OPTIONAL EXTENSION:
30" D X 12", 30", 60", 84"
HEIGHT

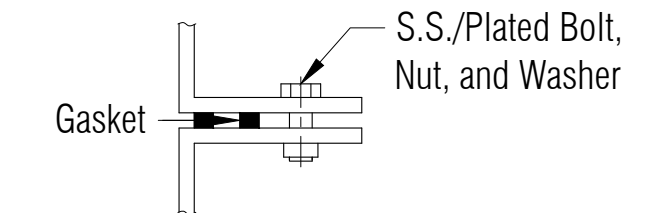
LIQUID LEVEL DEPTH

30"Ø SAFETY GRATE
SEE DETAIL H

30"Ø COLLAR BONDED
TO TANK



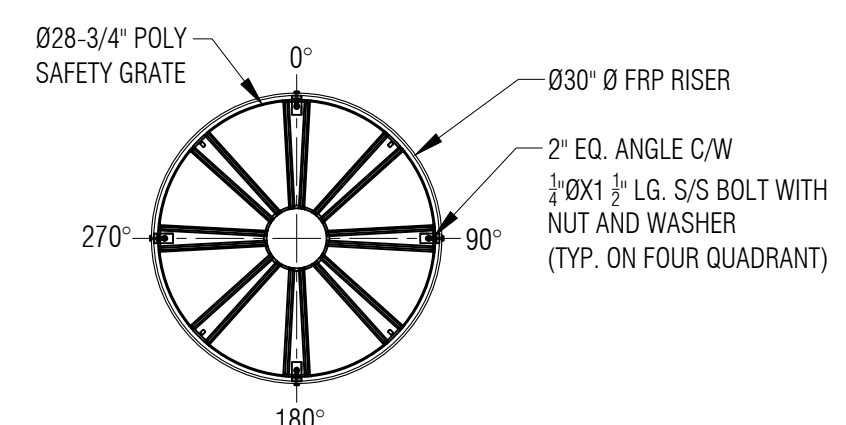
SECTION B



**FLANGE TO FLANGE
CONNECTION DETAIL E**
NTS



RIB LAMINATE DETAIL F
NTS



SAFETY GRATE DETAIL H
SCALE: 1:20

LEGEND:
TOC - TOP OF CAP LID
TOF - TOP OF FLANGE
TOP - TOP CYLINDER
BOT - BOTTOM CYLINDER
I/S - INSIDE
O/S - OUTSIDE
Ø - DIAMETER
° - DEGREE/S
TYP - TYPICAL
CL - CENTER LINE
NTS - NOT TO SCALE

GENERAL NOTES:
- CSA B66 CERTIFIED FRP TANK FOR WASTE WATER.
- RATED FOR 7' OF BURIAL DEPTH AND NO TRAFFIC LOADING.
- ALL DRILLED HOLES FLANGES TO BE COATED WITH RESIN.
- SAFETY DEVISE CAN WITHSTAND 91 KG. OF DEAD LOAD.
- DIMENSIONS SHOWN IN FEET INCHES FORMAT OTHERWISE NOTED.
- 1/2" FABRICATION TOLERANCE. DOES NOT APPLY TO LAMINATE THICKNESS.



ITEM#	QTY	PART LIST	DESCRIPTION	SHELL THICKNESS: 0.375"	DRAWN: CCL/ATF
1	1	30" CAP LID W/ 8"D POLY SCREW OUT INSERT		HEMI HEAD THICKNESS: 0.475"	CHECKED: ATF
2	1	30"Ø MANWAY COLLAR	30"Ø FRP COLLAR	RIBS THICKNESS: 0.25"	DATE: MAR. 10, 2023
3	1	4" FERNCO	FLEXIBLE CONNECTOR	RIB SPACING: 17-1/4" (CL to CL)	DESIGNED: FRP
4	1	4"Ø PVC PIPE & TEEWYE	INLET	LENGTH: 8,661MM (28'-5")	APPROVED: MPS
5	2	MILD STEEL	LIFT LUGS	WORKING CAPACITY: 35,320L (7,769 IG/9,323 USG)	MFG:
6	1	POLYETHYLENE SAFETY GRATE C/W HARDWARE	SAFETY GRATE	OVERALL CAPACITY: 36,642 L (8,060 IG/9,672 USG)	PM:
7					SALES:

CLIENT: FRP/MOCOAT		REVISION: 0	
TITLE: B8000S FIBERGLASS HOLDING TANK		SHEET: 1/1	
FRP MOCOAT FIBERGLASS LTD.		SCALE: 1:40	
SIZE: C	DRAWING NUMBER: B8000S	WEIGHT: 1,406 KG (3,100 LBS)	
	BURIAL DEPTH: RATED 7'-0"		