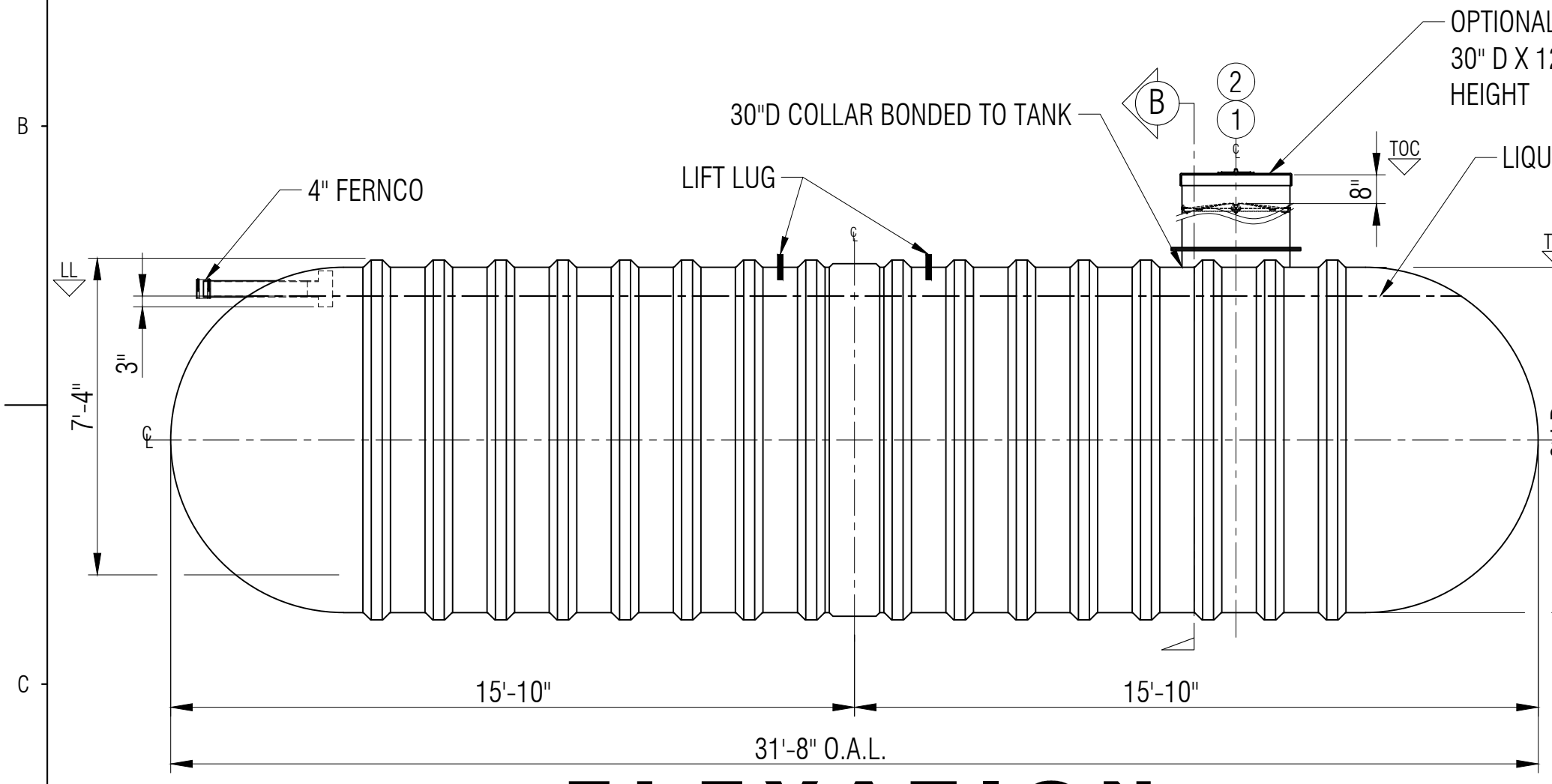
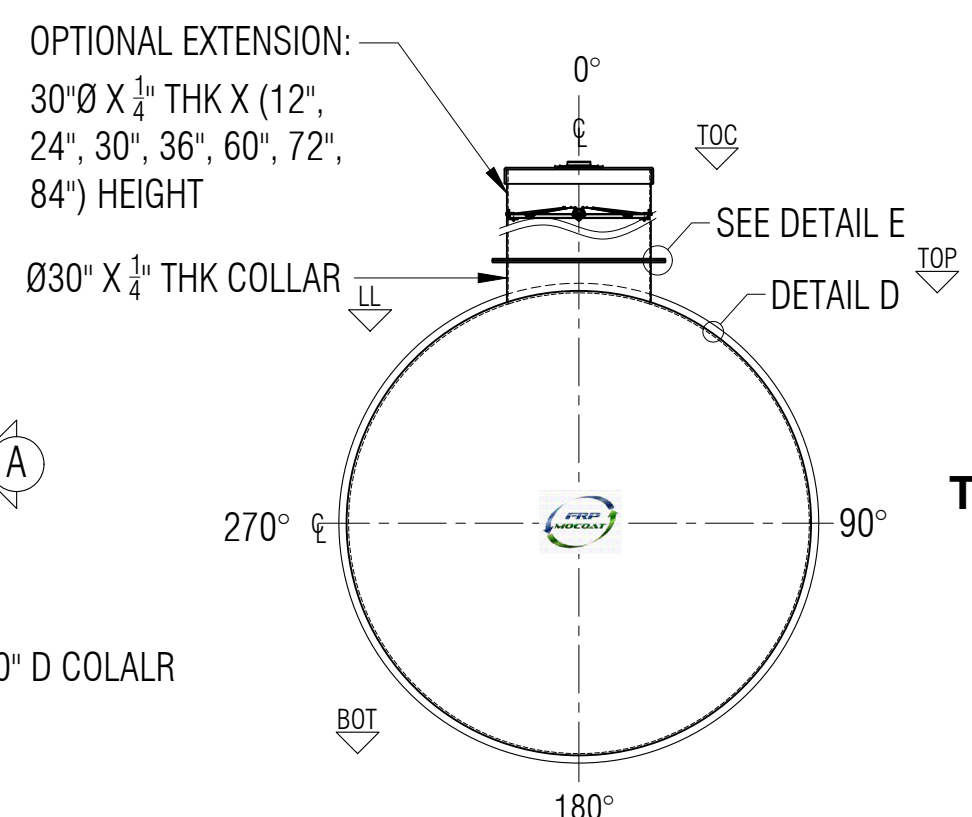


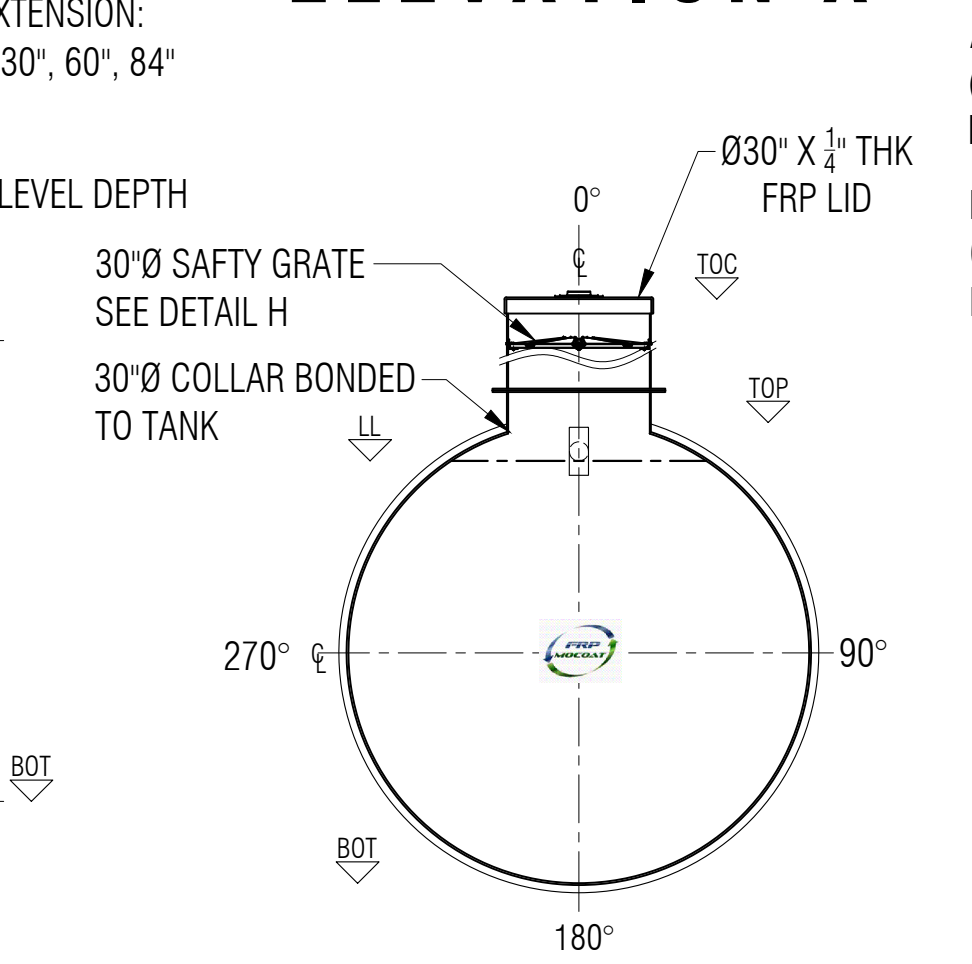
PLAN



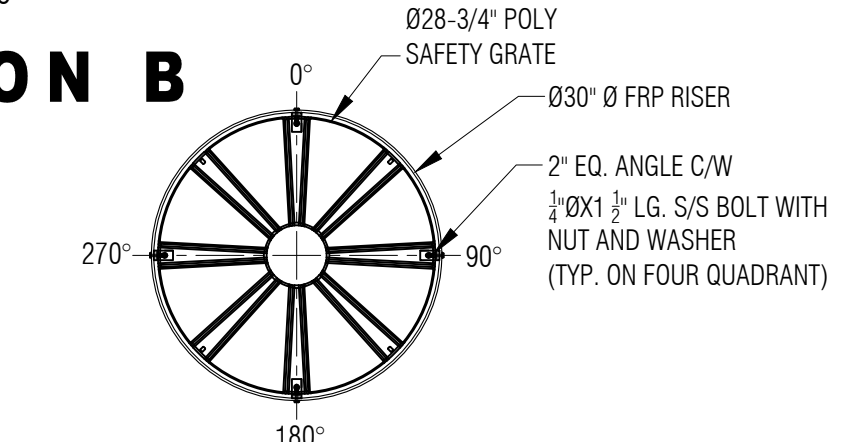
ELEVATION



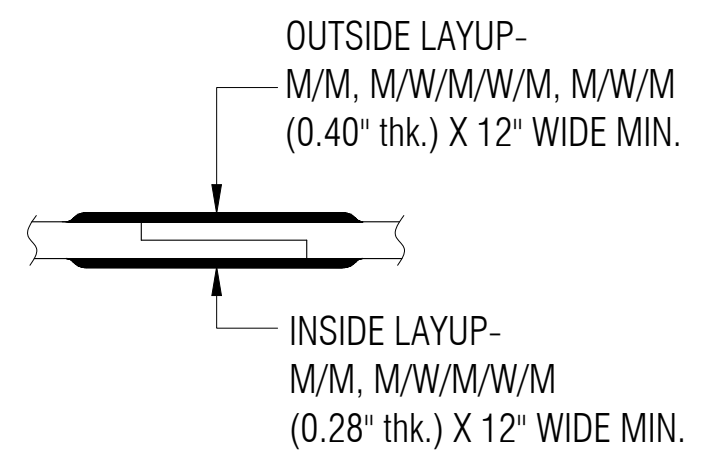
ELEVATION A



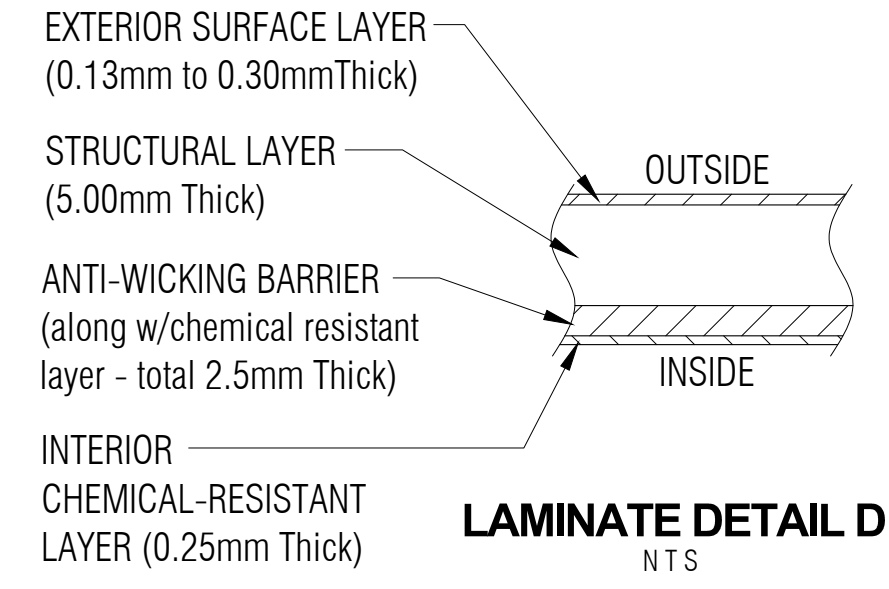
SECTION B



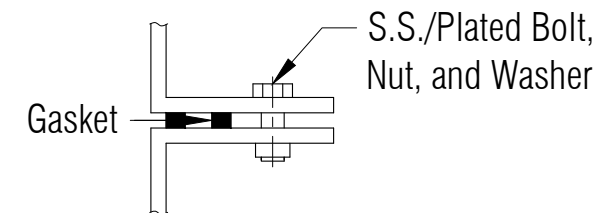
SAFETY GRATE DETAIL H



TYPICAL BODY JOINT DETAIL C



LAMINATE DETAIL D



FLANGE TO FLANGE CONNECTION DETAIL E



RIB LAMINATE DETAIL F

LEGEND:
 TOC - TOP OF CAP LID
 TOF - TOP OF FLANGE
 TOP - TOP CYLINDER
 BOT - BOTTOM CYLINDER
 I/S - INSIDE
 O/S - OUTSIDE
 Ø - DIAMETER
 ° - DEGREE/S
 TYP - TYPICAL
 CL - CENTER LINE
 NTS - NOT TO SCALE

GENERAL NOTES:
 - CSA B66 CERTIFIED FRP TANK FOR WASTE WATER.
 - RATED FOR 7' OF BURIAL DEPTH AND NO TRAFFIC LOADING.
 - ALL DRILLED HOLES FLANGES TO BE COATED WITH RESIN.
 - SAFETY DEVICE CAN WITHSTAND 91 KG. OF DEAD LOAD.
 - DIMENSIONS SHOWN IN FEET INCHES FORMAT OTHERWISE NOTED.
 - 1/2" FABRICATION TOLERANCE. DOES NOT APPLY TO LAMINATE THICKNESS.



ITEM#	QTY	PART LIST	DESCRIPTION	SHELL THICKNESS: 0.375"	DRAWN: CCL/ATF
1	1	30" CAP LID W/ 8"D POLY SCREW OUT INSERT		HEMI HEAD THICKNESS: 0.475"	CHECKED: ATF
2	1	30"Ø MANWAY COLLAR	30"Ø FRP COLLAR	RIBS THICKNESS: 0.25"	DATE: MAR. 10, 2023
3	1	4" FERNCO	FLEXIBLE CONNECTOR	RIB SPACING: 17-1/4" (CL to CL)	DESIGNED: FRP
4	1	4"Ø PVC PIPE & TEEWYE	INLET	LENGTH: 9,652MM (31'-8")	APPROVED: MPS
5	2	MILD STEEL	LIFT LUGS	WORKING CAPACITY: 39,780L (8,750 IG/10,500 USG)	MFG:
6	1	POLYETHYLENE SAFETY GRATE C/W HARDWARE	SAFETY GRATE	OVERALL CAPACITY: 41,264L (9,076 IG/10,891 USG)	PM:

CLIENT: FRP/MOCOAT		REVISION: 0	
TITLE: B9000S FIBERGLASS HOLDING TANK		SHEET: 1/1	
FRP MOCOAT FIBERGLASS LTD.		SCALE: 1:40	
SIZE: C	DRAWING NUMBER: B9000S	WEIGHT: 1,563 KG (3,450 LBS)	BURIAL DEPTH: RATED 7'-0"