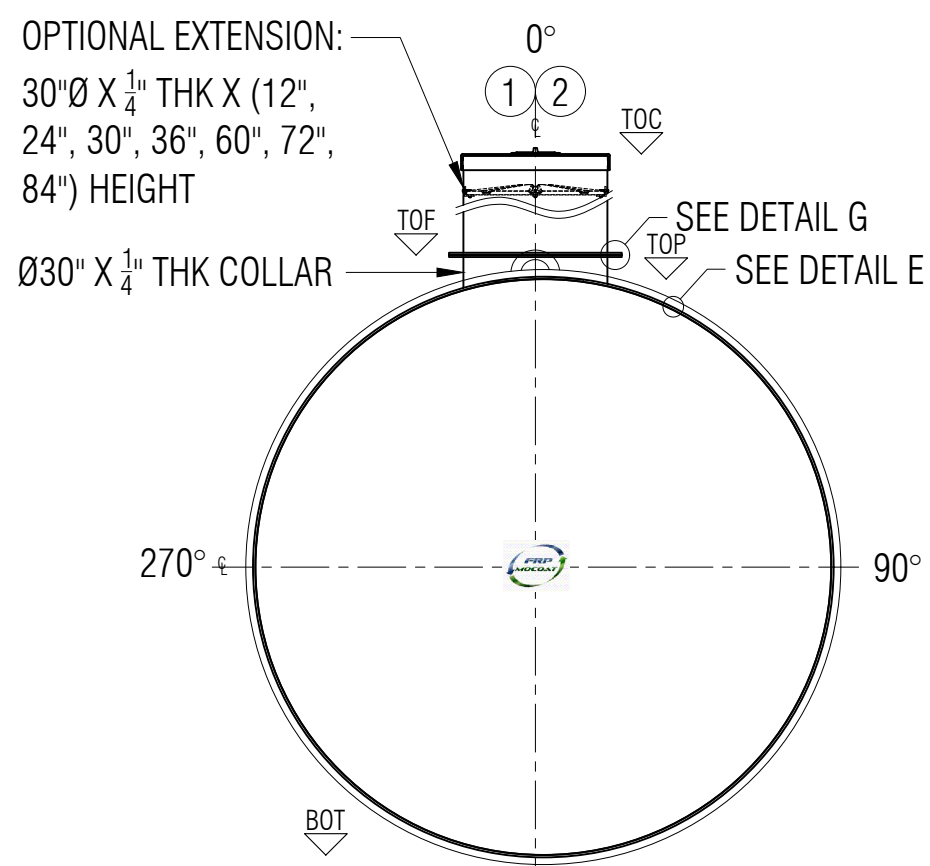
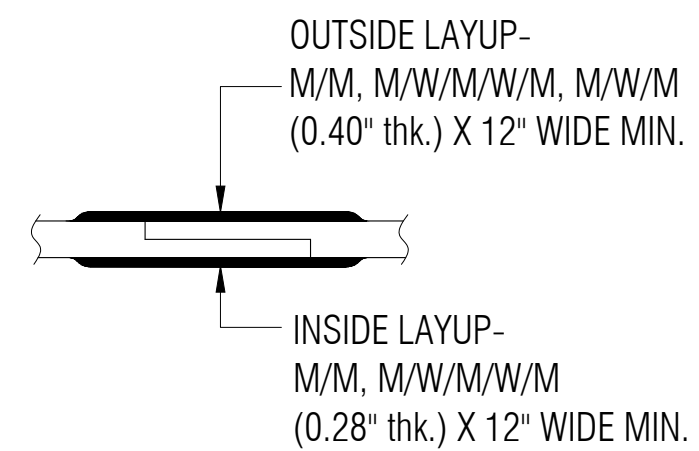


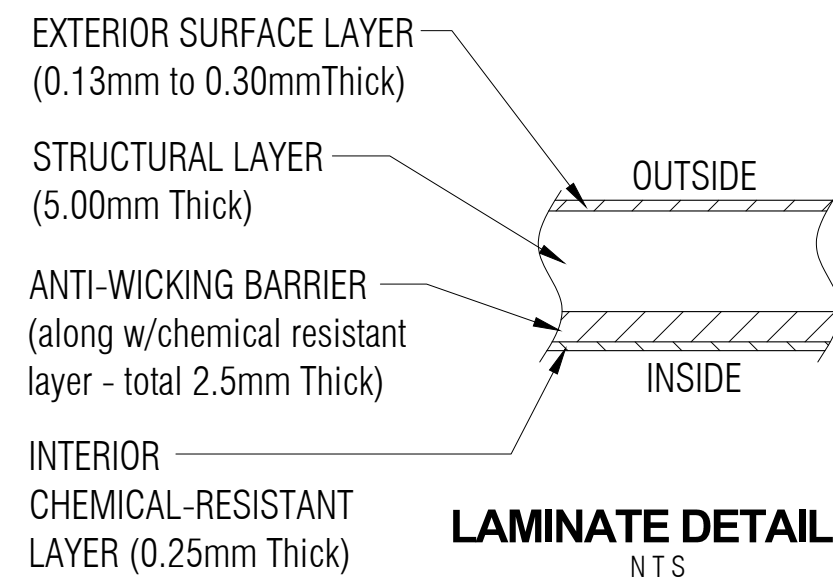
**PLAN**



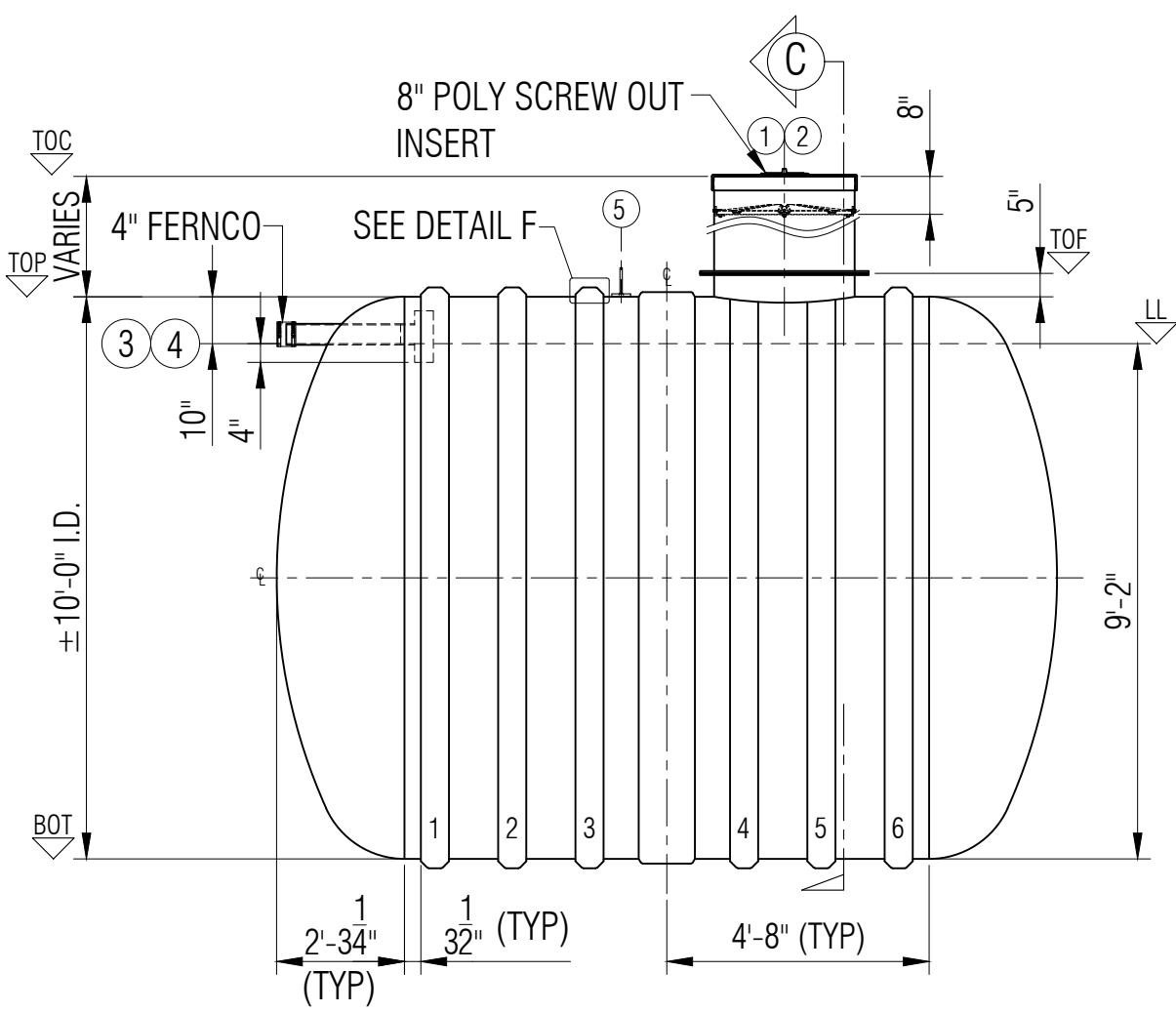
**ELEVATION B**



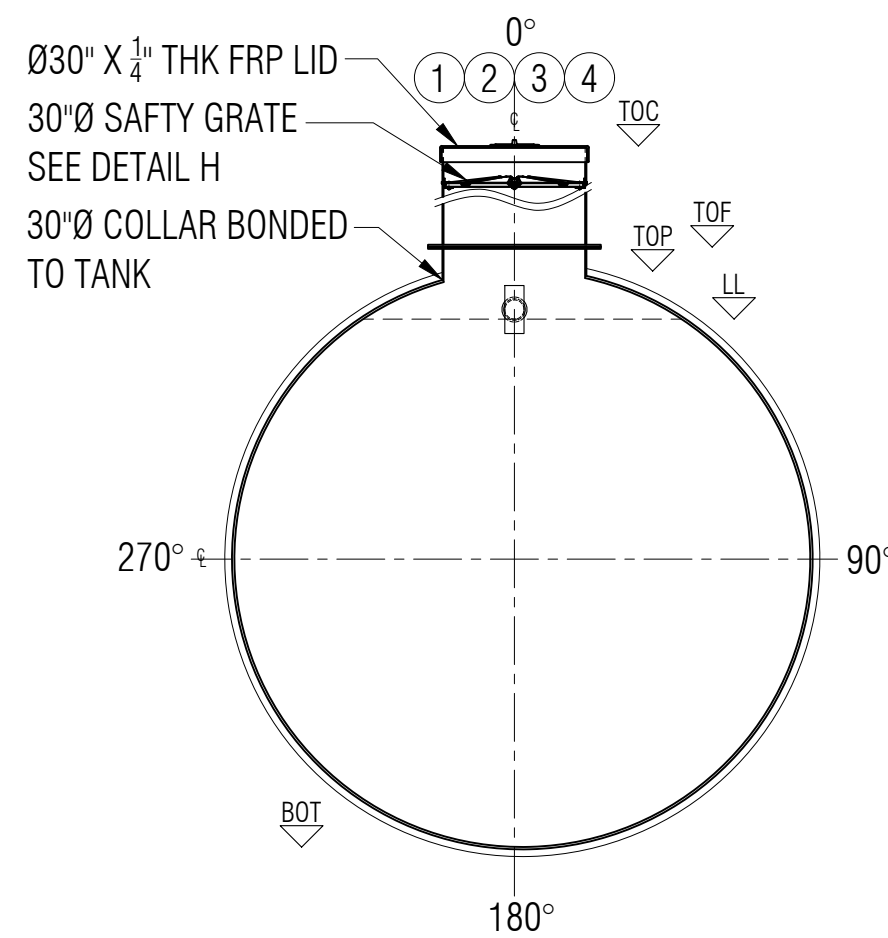
**TYPICAL BODY JOINT DETAIL D**  
NTS



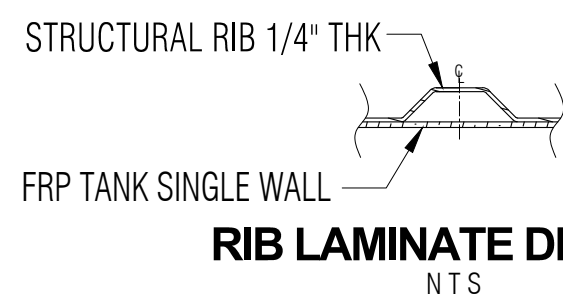
**LAMINATE DETAIL E**  
NTS



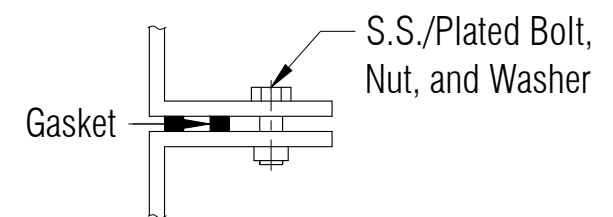
**ELEVATION A**



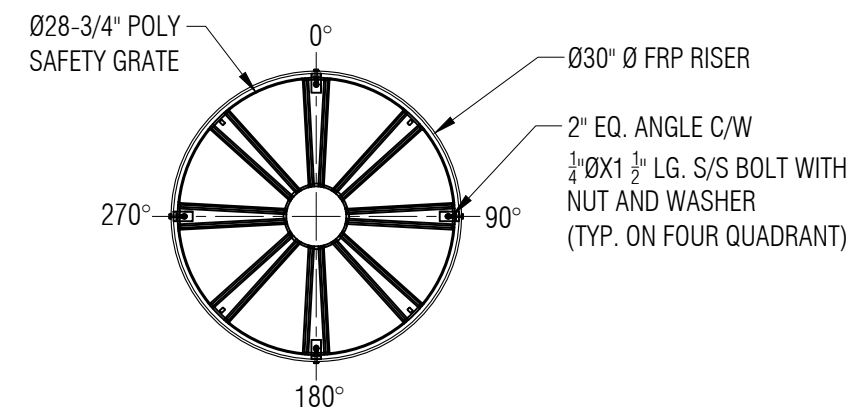
**SECTION C**



**RIB LAMINATE DETAIL F**  
NTS



**FLANGE TO FLANGE CONNECTION DETAIL G**  
NTS

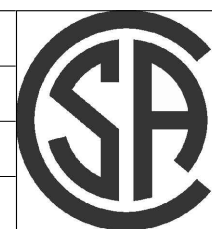


**SAFETY GRATE DETAIL H**  
SCALE: 1:20

LEGEND:  
 TOC - TOP OF CAP LID  
 TOF - TOP OF FLANGE  
 TOP - TOP CYLINDER  
 BOT - BOTTOM CYLINDER  
 I/S - INSIDE  
 LL - LIQUID LEVEL  
 O.A.H.-OVERALL HEIGHT  
 O.A.L.-OVERALL LENGTH  
 I/S - INSIDE  
 O/S - OUTSIDE  
 Ø - DIAMETER  
 ° - DEGREE/S  
 TYP- TYPICAL  
 CL - CENTER LINE  
 NTS - NOT TO SCALE

GENERAL NOTES:  
 - CSA B66 CERTIFIED FRP TANK FOR WASTE WATER.  
 - RATED FOR 10' OF BURIAL DEPTH AND NO TRAFFIC LOADING.  
 - ALL DRILLED HOLES FLANGES TO BE COATED WITH RESIN.  
 - SAFETY DEVICE CAN WITHSTAND 91 KG. OF DEAD LOAD.  
 - DIMENSIONS SHOWN IN FEET INCHES FORMAT OTHERWISE NOTED.  
 - 1/2" FABRICATION TOLERANCE. DOES NOT APPLY TO LAMINATE THICKNESS.

ITEM#	QTY	PART LIST	DESCRIPTION	SHELL THICKNESS:	0.425"	DRAWN:	ATF
1	1	30" CAP LID W/ 8"D POLY SCREW OUT INSERT	FPR LID	DISH HEAD THICKNESS:	1.030"	CHECKED:	
2	1	30"Ø MANWAY COLLAR	30"Ø FRP COLLAR	RIBS THICKNESS:	0.300"+2 WR (0.066")=.366"	DATE:	APR. 14, 2023
3	1	4" FERNCO	FLEXIBLE CONNECTOR	RIB SPACING:	16-1/2" (CL to CL)	DESIGNED:	
4	1	4"Ø PVC PIPE & TEEWYE	INLET	LENGTH:	4,229MM (13'-10 1/2")	APPROVED:	MPS
5	1	MILD STEEL	LIFT LUG	WORKING CAPACITY:	22,230L (4,890IG/5,873 USG)	MFG:	DS
6	1	POLYETHYLENE SAFETY GRATE C/W HARDWARE	SAFETY GRATE	OVERALL CAPACITY:	24,166L (5,316IG/6,384 USG)	PM:	GA
				NUMBER OF RIBS:	6	SALES:	TA



CLIENT: FRP/MOCOAT FIBERGLASS LTD.  
 TITLE: **BX6000-DB FIBERGLASS HOLDING TANK**

**FRP MOCOAT**  
 FIBERGLASS LTD.

SIZE: C	DRAWING NUMBER: BX6000-DB	REVISION: 0
SCALE: 1:40	WEIGHT:	SHEET: 1/1
BURIAL DEPTH:	RATED 10'-0"	