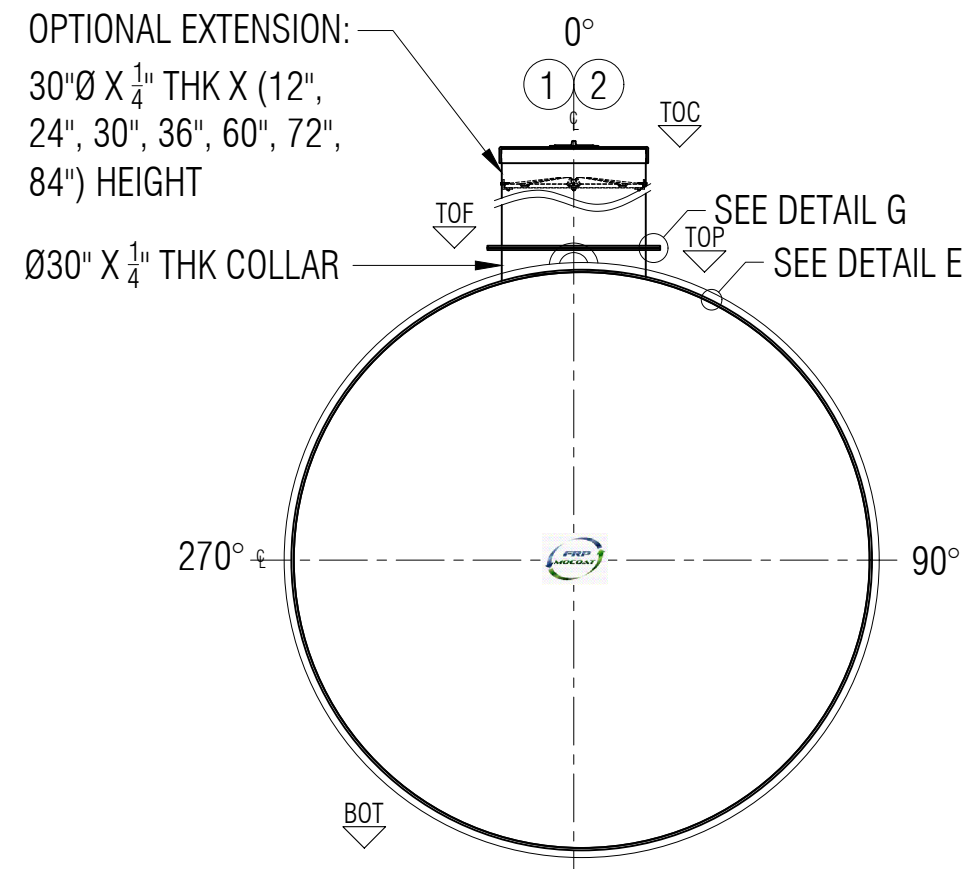
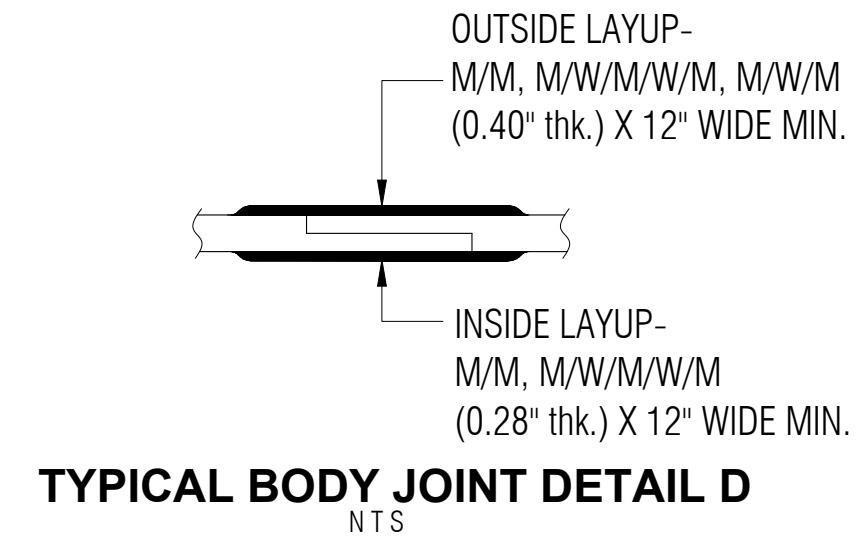


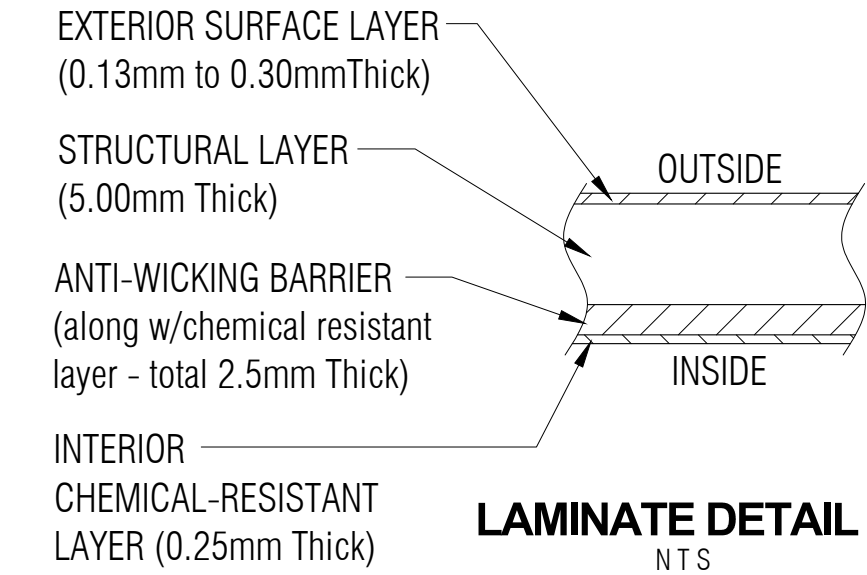
**PLAN**



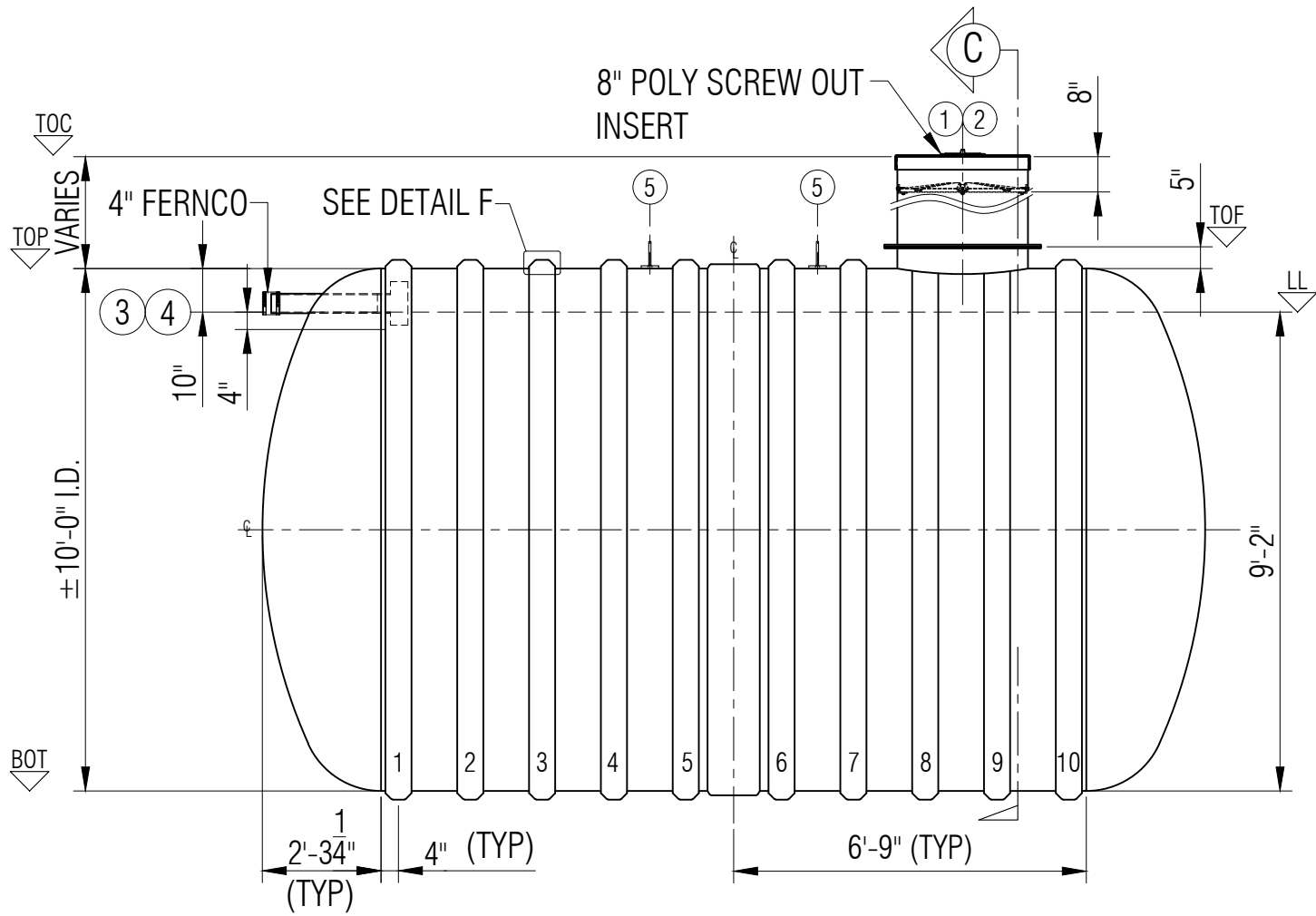
**ELEVATION B**



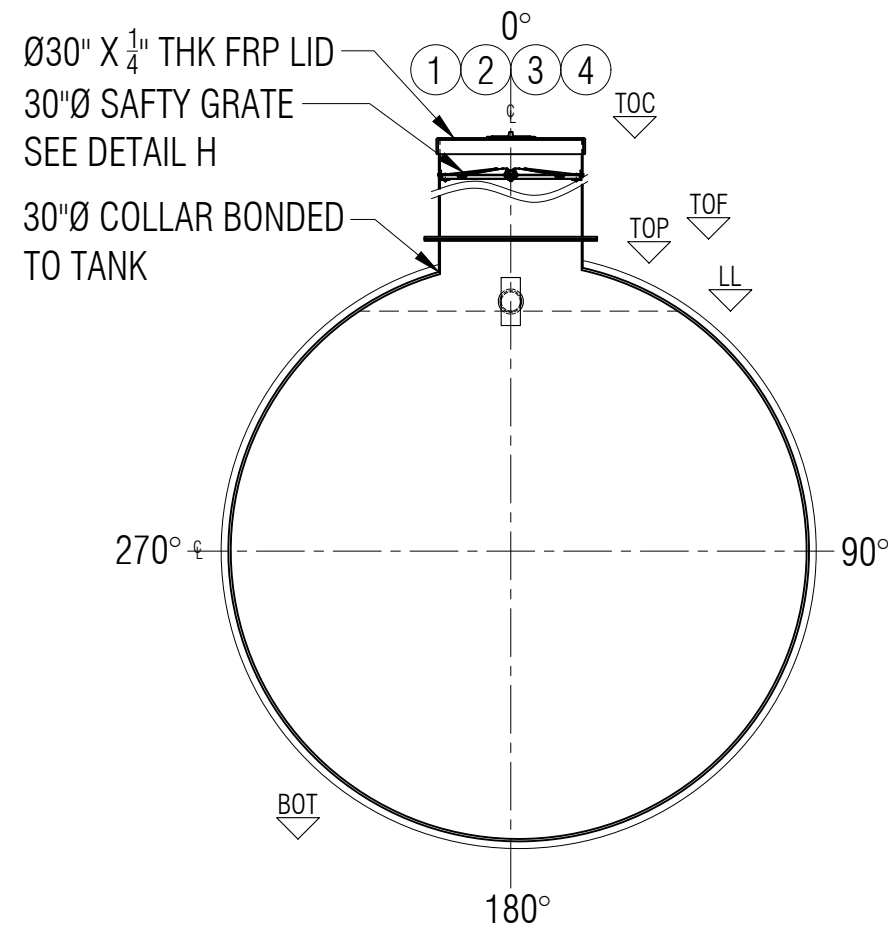
**TYPICAL BODY JOINT DETAIL D**  
NTS



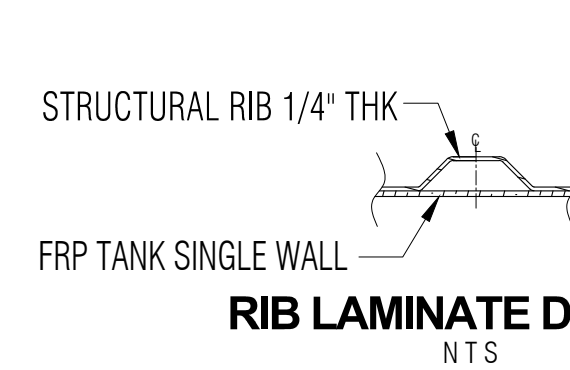
**LAMINATE DETAIL E**  
NTS



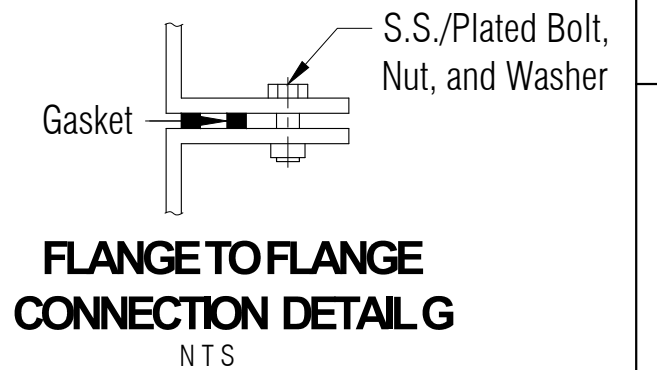
**ELEVATION A**



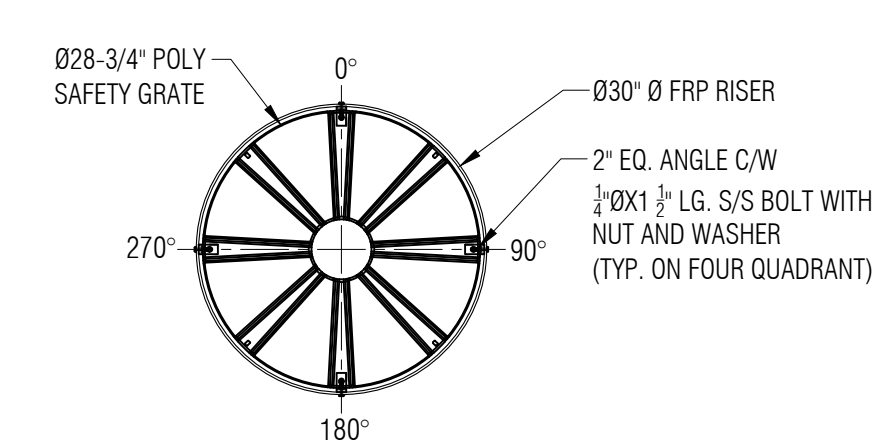
**SECTION C**



**RIB LAMINATE DETAIL F**  
NTS



**FLANGE TO FLANGE CONNECTION DETAIL G**  
NTS

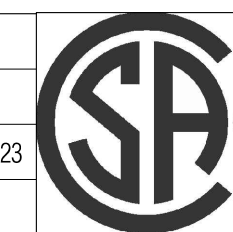


**SAFETY GRATE DETAIL H**  
SCALE: 1:20

**LEGEND:**  
 TOC - TOP OF CAP LID  
 TOF - TOP OF FLANGE  
 TOP - TOP CYLINDER  
 BOT - BOTTOM CYLINDER  
 I/S - INSIDE  
 O/S - OUTSIDE  
 Ø - DIAMETER  
 ° - DEGREE/S  
 TYP - TYPICAL  
 CL - CENTER LINE  
 NTS - NOT TO SCALE

**GENERAL NOTES:**  
 - CSA B66 CERTIFIED FRP TANK FOR WASTE WATER.  
 - RATED FOR 7' OF BURIAL DEPTH AND NO TRAFFIC LOADING.  
 - ALL DRILLED HOLES FLANGES TO BE COATED WITH RESIN.  
 - SAFETY DEVICE CAN WITHSTAND 91 KG. OF DEAD LOAD.  
 - DIMENSIONS SHOWN IN FEET INCHES FORMAT OTHERWISE NOTED.  
 - 1/2" FABRICATION TOLERANCE. DOES NOT APPLY TO LAMINATE THICKNESS.

| ITEM# | QTY | PART LIST                                | DESCRIPTION        | SHELL THICKNESS:     | 0.400"                        | DRAWN:    | ATF           |
|-------|-----|--|--------------------|----------------------|-------------------------------|-----------|---------------|
| 1     | 1   | 30" CAP LID W/ 8"D POLY SCREW OUT INSERT | FRP LID            | DISH HEAD THICKNESS: | 0.940"                        | CHECKED:  |               |
| 2     | 1   | 30"Ø MANWAY COLLAR                       | 30"Ø FRP COLLAR    | RIBS THICKNESS:      | 0.25"                         | DATE:     | MAR. 28, 2023 |
| 3     | 1   | 4" FERNCO                                | FLEXIBLE CONNECTOR | RIB SPACING:         | 16-1/2" (CL to CL)            | DESIGNED: |               |
| 4     | 1   | 4"Ø PVC PIPE & TEEWYE                    | INLET              | LENGTH:              | 5,499MM (18'-0 1/2")          | APPROVED: | MPS           |
| 5     | 2   | MILD STEEL                               | LIFT LUGS          | WORKING CAPACITY:    | 30,736 L (6,761 IG/8,120 USG) | MFG:      | DS            |
| 6     | 1   | POLYETHYLENE SAFETY GRATE C/W HARDWARE   | SAFETY GRATE       | OVERALL CAPACITY:    | 33,427 L (7,353 IG/8,831 USG) | PM:       | GA            |
|       |     |  |                    | NUMBER OF RIBS:      | 10                            | SALES:    | TA            |



|   |                         |             |             |
|---|-------------------------|-------------|-------------|
| CLIENT: FRP/MOCOAT FIBERGLASS LTD.            |                         | REVISION: 0 |             |
| TITLE: <b>BX8000S FIBERGLASS HOLDING TANK</b> |                         | SHEET: 1/1  |             |
| SIZE: C                                       | DRAWING NUMBER: BX8000S | WEIGHT:     | RATED 7'-0" |
| SCALE: 1:40                                   | BURIAL DEPTH:           |             |             |