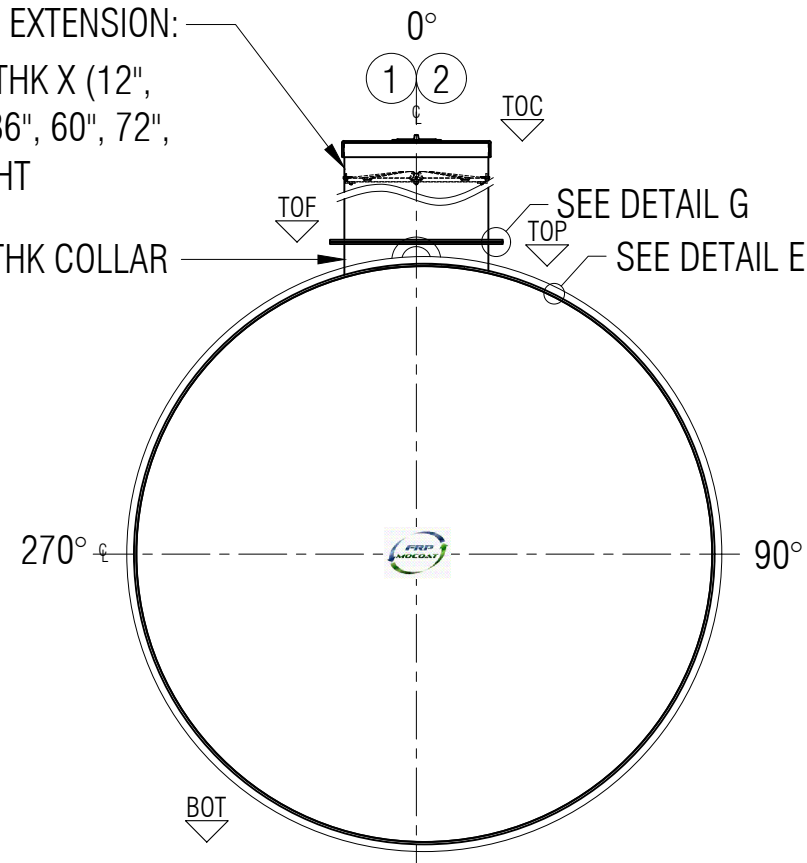
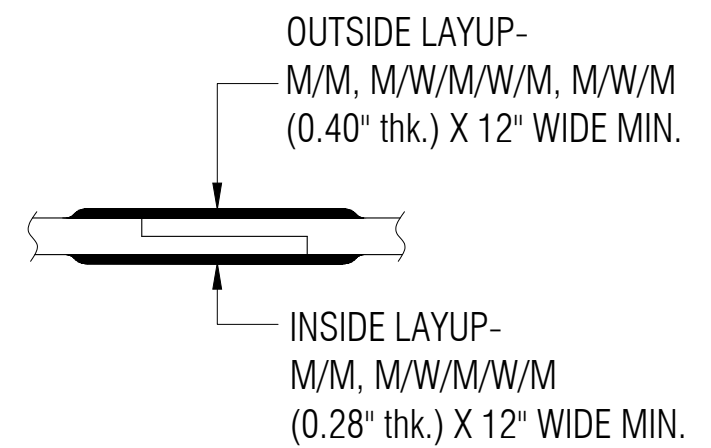


PLAN

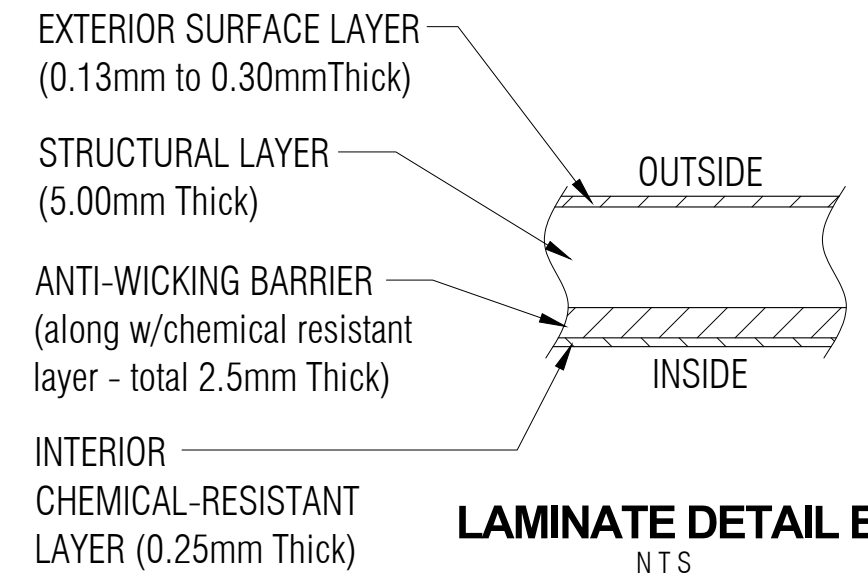
OPTIONAL EXTENSION:
 30"Ø X 1/4" THK X (12",
 24", 30", 36", 60", 72",
 84") HEIGHT
 Ø30" X 1/4" THK COLLAR



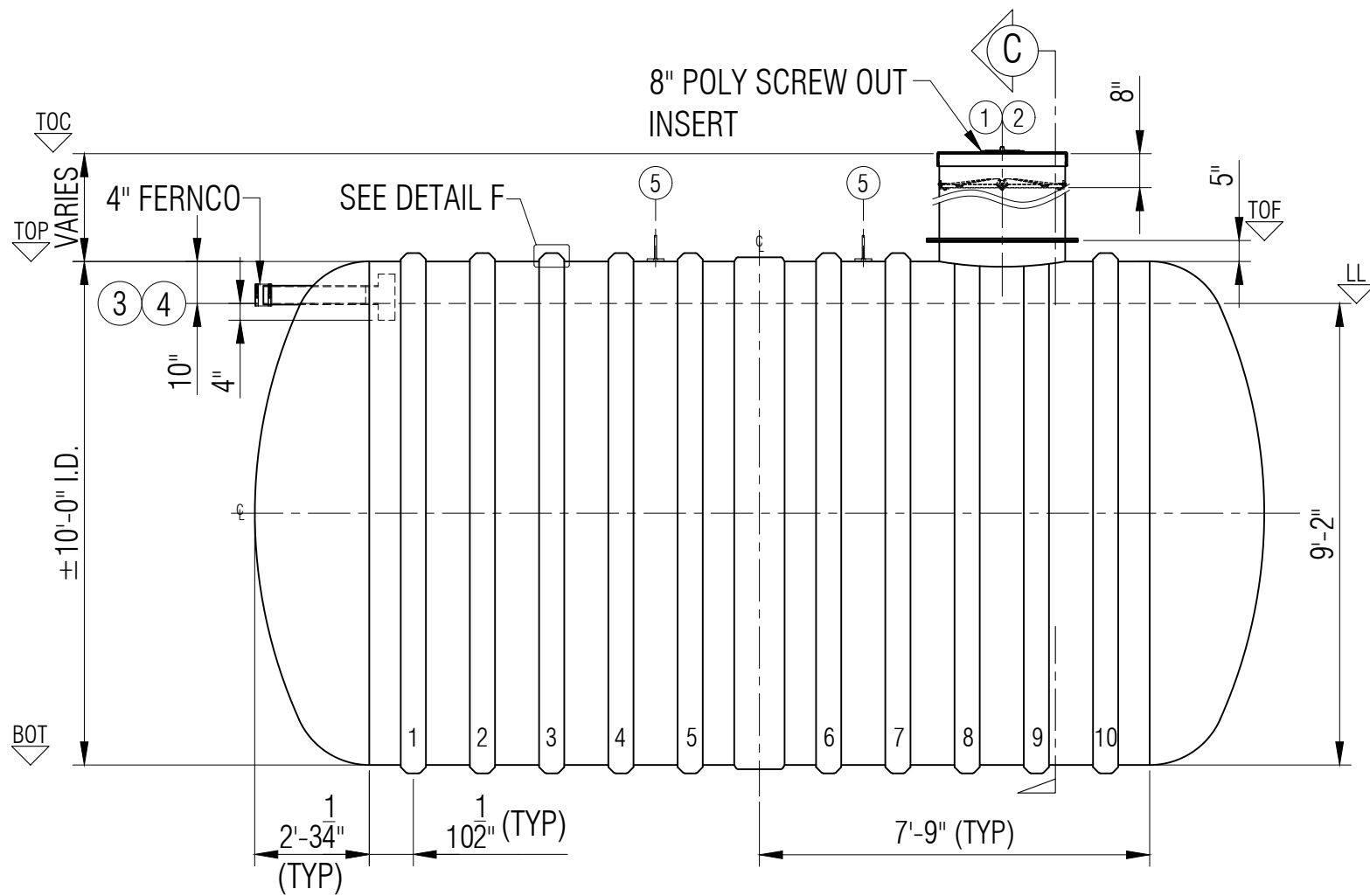
ELEVATION B



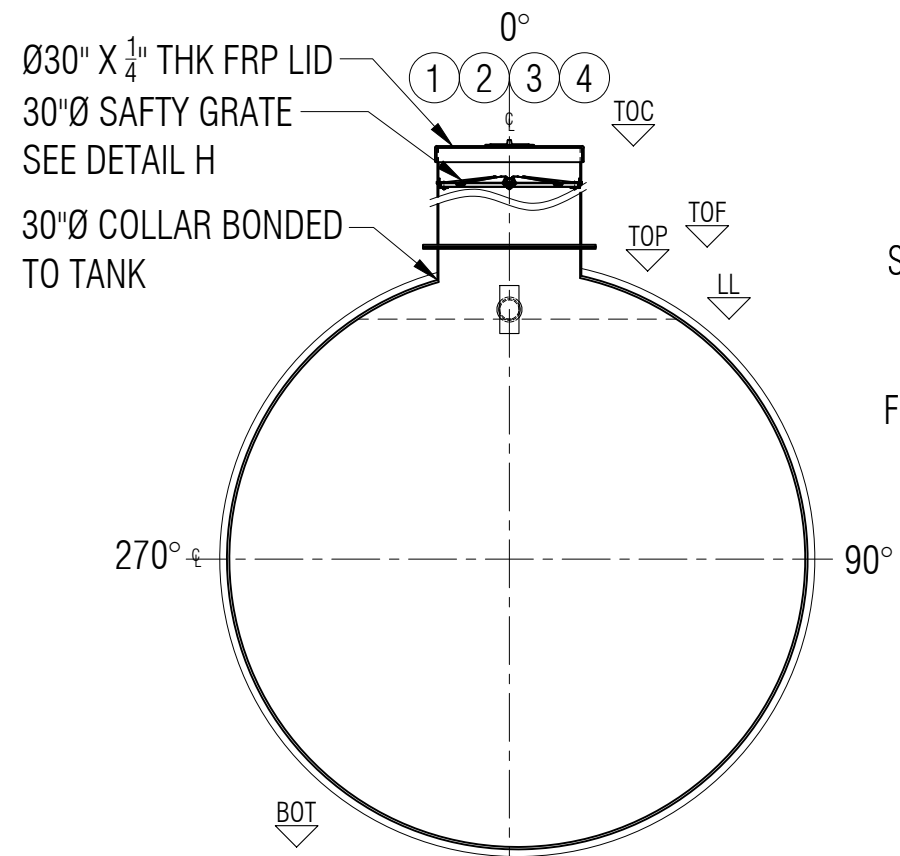
TYPICAL BODY JOINT DETAIL D
NTS



LAMINATE DETAIL E
NTS



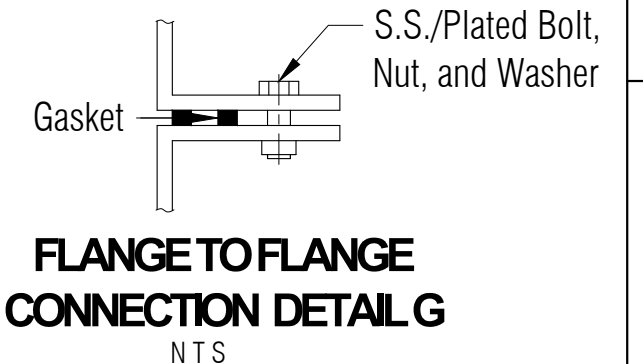
ELEVATION A



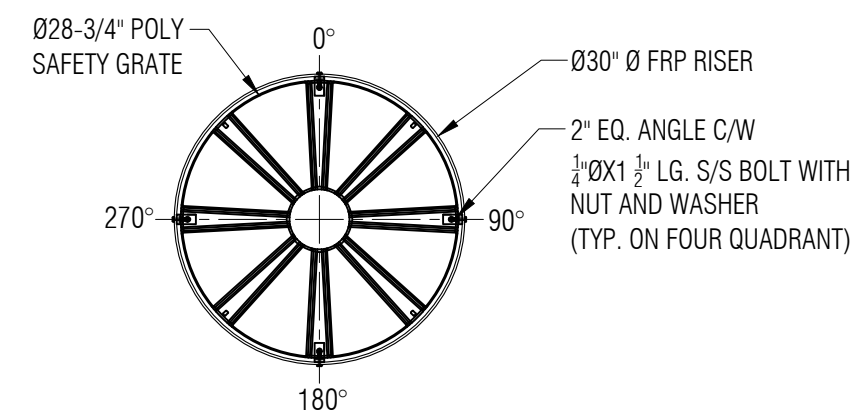
SECTION C



RIB LAMINATE DETAIL F
NTS



FLANGE TO FLANGE CONNECTION DETAIL G
NTS

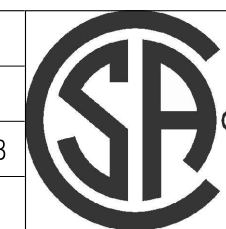


SAFETY GRATE DETAIL H
SCALE: 1:20

LEGEND:
 TOC - TOP OF CAP LID
 TOF - TOP OF FLANGE
 TOP - TOP CYLINDER
 BOT - BOTTOM CYLINDER
 I/S - INSIDE
 O/S - OUTSIDE
 Ø - DIAMETER
 ° - DEGREE/S
 TYP - TYPICAL
 CL - CENTER LINE
 NTS - NOT TO SCALE

GENERAL NOTES:
 - CSA B66 CERTIFIED FRP TANK FOR WASTE WATER.
 - RATED FOR 10' OF BURIAL DEPTH AND NO TRAFFIC LOADING.
 - ALL DRILLED HOLES FLANGES TO BE COATED WITH RESIN.
 - SAFETY DEVICE CAN WITHSTAND 91 KG. OF DEAD LOAD.
 - DIMENSIONS SHOWN IN FEET INCHES FORMAT OTHERWISE NOTED.
 - 1/2" FABRICATION TOLERANCE. DOES NOT APPLY TO LAMINATE THICKNESS.

ITEM#	QTY	PART LIST	DESCRIPTION	SHELL THICKNESS: 0.425"	DRAWN: ATF
1	1	30" CAP LID W/ 8"Ø POLY SCREW OUT INSERT	FRP LID	DISH HEAD THICKNESS: 1.030"	CHECKED: ATF/MPS
2	1	30"Ø MANWAY COLLAR	30"Ø FRP COLLAR	RIBS THICKNESS: 0.300" + 2 WR (0.066") = .366"	DATE: APR. 14, 2023
3	1	4" FERNCO	FLEXIBLE CONNECTOR	RIB SPACING: 16-1/2" (CL to CL)	DESIGNED: FRP
4	1	4"Ø PVC PIPE & TEEWYE	INLET	LENGTH: 6,109MM (20'-0 1/2")	APPROVED: MPS
5	2	MILD STEEL	LIFT LUGS	WORKING CAPACITY: 34,823 L (7,660 IG/9,200 USG)	MFG: DS
6	1	POLYETHYLENE SAFETY GRATE C/W HARDWARE	SAFETY GRATE	OVERALL CAPACITY: 37,850 L (8,326 IG/10,000 USG)	PM: GA
				NUMBER OF RIBS: 10	SALES: TA



CLIENT: FRP/MOCOAT FIBERGLASS LTD.		REVISION: 0	
TITLE: BX9000SDB FIBERGLASS HOLDING TANK		SHEET: 1/1	
SIZE: C	DRAWING NUMBER: BX9000-DB	WEIGHT:	RATED 10'-0"
SCALE: 1:40	BURIAL DEPTH:		